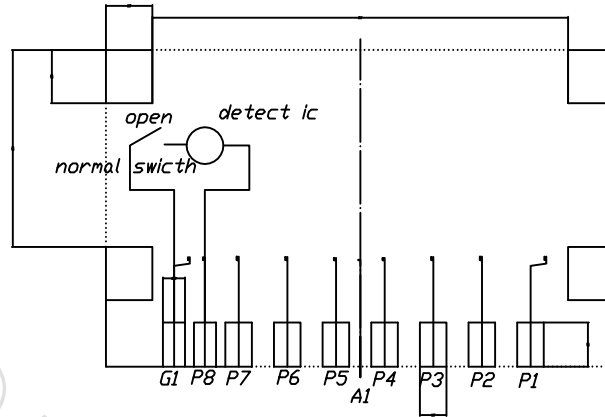
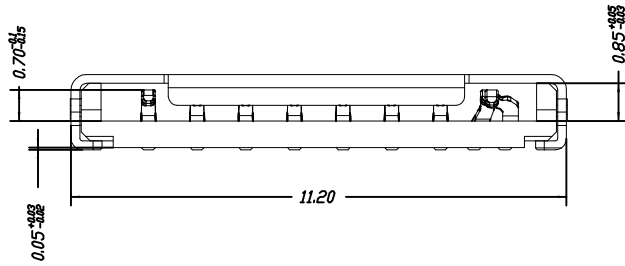
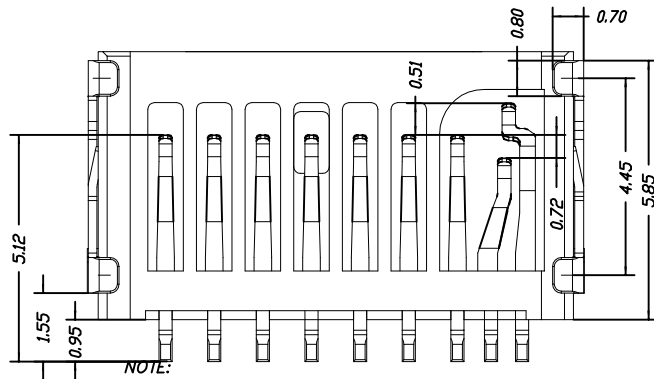


CUSTOMER DRAINWG



RECOMMENDED P.C.B. LAYOUT
TOLERANCE: ±0.05

pin number	pin name
G1	swicth
pin 8	RSV
pin 7	DD
pin 6	VSS
pin 5	SCLK
pin 4	VDD
pin 3	DI
pin 2	CS
pin 1	RSV



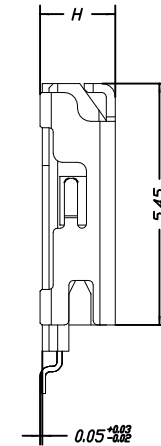
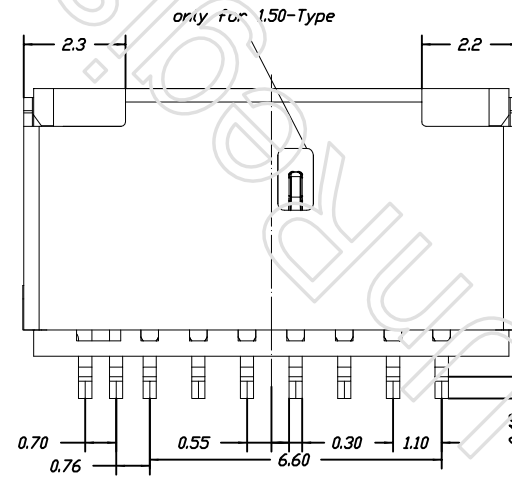
NOTE:

- MATERIAL:
- HOUSING: HGH THERMOPLASTIC UL 94-V0 BLACK
 - SIGNAL TERMINAL/DETECT TERMINAL: PHOSPHOR BRONZE T=0.12MM
 - SHELL: STAINLESS STEEL T=0.20MM

- FINISH:
- SIGNAL TERMINAL/DETECT TERMINAL: 1.25-6.25 MICRON NICKEL MIN UNDER-PLATED GOLD FLASH PLATD ON CONTACT AREA
 - SHELL: 1.25 MICRON MIN NICKEL PLATING OVER ALL GOLD FLASH PLATED ON SOLDER AREA

3. PART NUMBER SYSTEM: XNTTF09XX001X

XX	DIM	H
15	1.50	
17	1.70	



UNLESS OTHERWISE SPECIFIED TOLERANCES		深圳市鑫南天科技有限公司 ShenZhen Xin Nan Tian Industrial Co., Ltd	
U.S.		APPROVAL	DATE
METRIC		DRAWN	CHECKED
.X +/-	0.15	TITLE	
.XX +/-	0.10	TF CARD CONNECTOR	
.XXX +/-	0.05	SIZE	
FRACTIONS +/-	0.5°	DRAWING NO.	
ANGLES +/-		XNTTF09XX001X	
REMOVE SHARP EDGES		REV.	
DIMENSIONS		B	
U.S.	INCHES	SCALE	NONE
(METRIC)	(MM)	SHEET 1 OF 1	