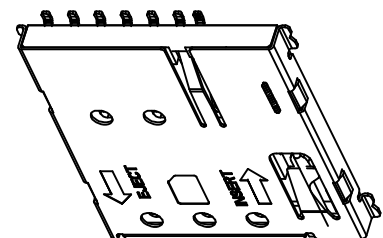
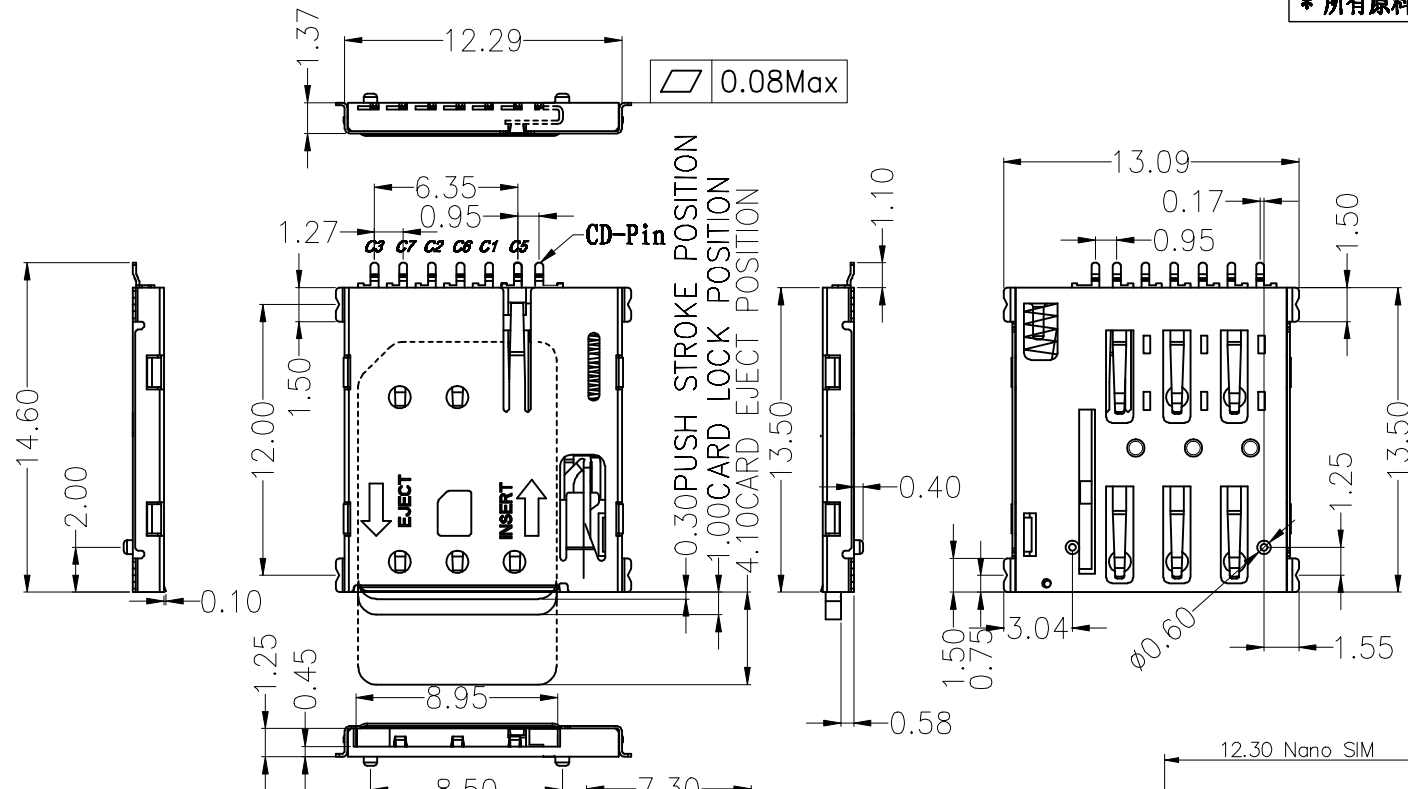


* 所有原材料, 生产制程, 电镀必须符合ROHS要求

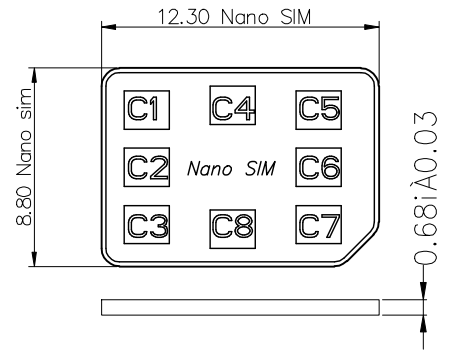


Specification

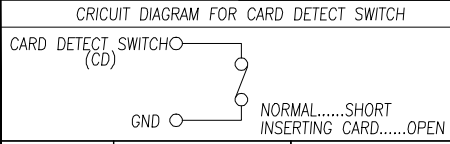
MATERIAL:
 Insulator: High Temperature Thermoplastic, UL 94V-0
 Contacts: Copper Alloy

PLATING:
 Contact: Plated 30u" Ni Overall Contact Au 10
 Shell: Plated 50u" Ni Overall, PAD Au 1U

Electrical:
 Current Rating :0.5A AC/DC max.
 Voltage Rating :125V AC/DC
 Ambient Temperature Range :-20° C+60° C
 Storage Temperature Range :-40° C+70° C
 Ambient Humidity Range :95% R.H. Max.
 Contact Resistance:100m max. Ω
 Insulation Resistance:1000M min./500VDC
 Mating Cycles:3000-6000 Insertions
 产品耐温温度: 260度



SIM pin assignment	
PIN#	Name
C1	VCC 供电电压
C2	RST 重置
C3	CLK 时钟
C5	GND 接地
C6	VPP 程序电压
C7	I/O 输入输出



PCB AREA
 RECOMMENDED PCB LAYOUT
 GENERAL TOLERANCE ±0.05



深圳市鑫南天科技有限公司
 Shen zhen Shi Xin Nan Tian Industrial Co., Ltd

DIMENSIONING UNIT: mm UNLESS OTHERWISE SPECIFIED DIMENSION TOLERANCE I.X: ± 0.15 I.IX: ± 0.10 I.XII: ± 0.05 ANGULAR: ± 1°	PRODUCT NAME : NANO-SIM 卡座/PUSH/PUSH 1.50H @CD PIN INT Mation	DRAWING: COCO DATE: 2015/04/10
	PRODUCT NO. : 0191AAAA07A	CHECK: JANY DATE: 2015/04/11
	DRAWING NO. : XNT-0019	APPROVED: 林心祥 DATE: 2015/04/11
	SCALE: 1:1 DWG. TP: CS REV.: A PAGE: 1 of 1	

Shen zhen Shi Xin Nan Tian Industrial Co., Ltd http://www.sznantian.com

由 Autodesk 教育版产品制作