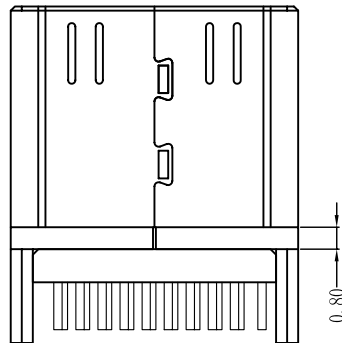
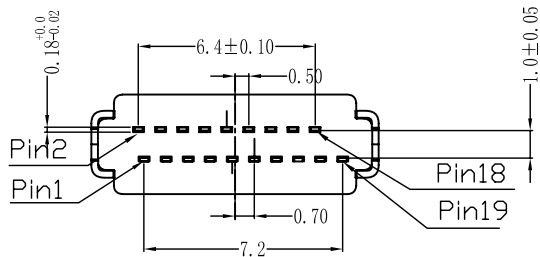


Specifications:

1. Current Rating: 0.5A at 40V AC.
2. Withstanding Voltage: 100V AC for one minute.
3. Insulation Resistance: 100MΩ Min.
4. Contact Resistance: 50mΩ Max.
5. Mating Force: 4.5kgf Max.
6. Unmating Force: 0.71~2.55kgf.



	<b>深圳市鑫南天科技有限公司</b> Shenzhen XinNanTian Technology Co., Ltd			
	PRODUCT NAME : hdmi c type plug-B 1.20mm without PCB	DRAWING : <b>COCO</b>	DATE: 2012/03/10	
	PRODUCT NO. : XNT-HDMI12-111193	CHECK: JANY	DATE: 2012/03/11	
	DRAWING NO. : XNT-1166	APPROVED: JEFF	DATE: 2012/03/11	
DIMENSIONS INT: mm UNLESS OTHERWISE SPECIFIABLE DIMENSION TOLERANCE X.X: ± 0.38 X.XX: ± 0.25 X.XXX: ± 0.10 ANGULAR: ± 1°	SCALE: 1:1	DWG ID: C D	REV. : A	PAGE: 1 OF 2

REVISION NO.	ECR NO.	DESCRIPTION	MARK	DATE
1				
2				
3				