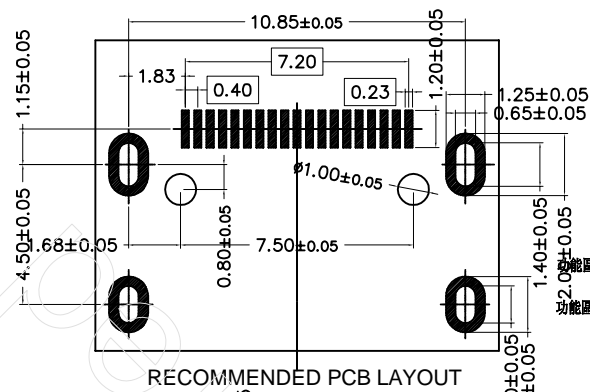
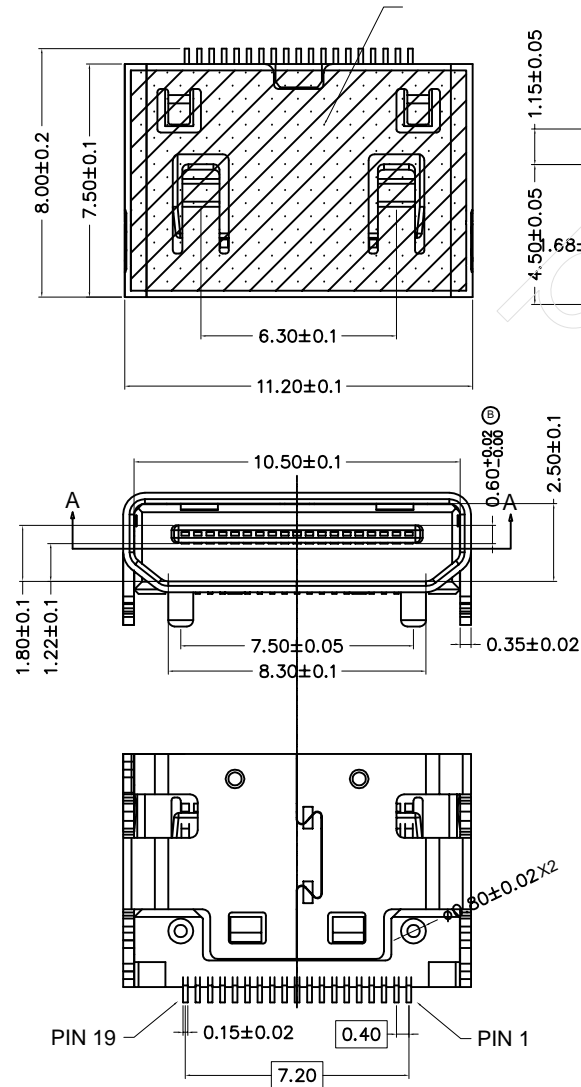
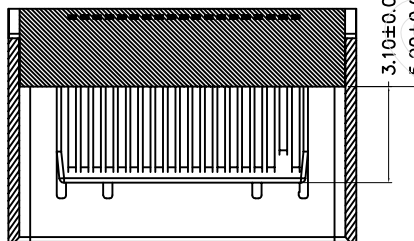
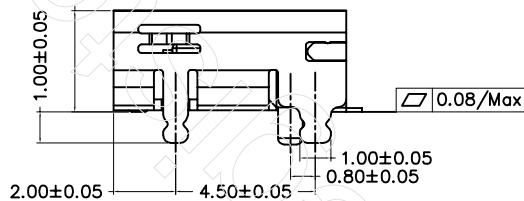


* 所有原料材质, 生产制程, 电镀必须符合ROHS要求

Mylar可选的



RECOMMENDED PCB LAYOUT



SEC A-A
SCALE 1:1

PART NO.

002 1 * A A * 19 *

流水码

A=DIP型外壳
B=SMT型外壳
C=DIP型外壳表面有J&K LOGO
D=DIP型外壳, 表面有Mylar

Q= 外壳全部镀金1u"
R= 外壳100u"可焊性镀Ni.

功能区域镀金1u" 焊接脚纯亮锡100u" (符合ROHS制程) A=
功能区域镀金3u" 焊接脚纯亮锡100u" (符合ROHS制程) B=
功能区域镀金1u", 锡脚镀金1u" (符合ROHS制程) G=
功能区域镀金3u", 锡脚镀金1u" (符合ROHS制程) H=
功能区域镀金5u", 锡脚镀金1u" (符合ROHS制程) K=
功能区域镀金15u", 锡脚镀金1u" (符合ROHS制程) L=

Table 4-17 Type C-to-Type C Cable Wire Assignment	
Type C pin	Signal Name
1	TMDS Data2 Shield
2	TMDS Data2+
3	TMDS Data2-
4	TMDS Data1 Shield
5	TMDS Data1+
6	TMDS Data1-
7	TMDS Data0 Shield
8	TMDS Data0+
9	TMDS Data0-
10	TMDS Clock Shield
11	TMDS Clock+
12	TMDS Clock-
13	DDC/CEC Ground
14	CEC
15	SCL
16	SDA
17	Utility
18	+5V Power
19	Hot Plug Detect

SPECIFICATION:

- 1.MATING FORCE:44.1N MAX
- 2.UNMATING FORCE:7-25N
- 3.DURABILITY: 5000 CYCLES MIN
- 4.CURRENT:0.5A
- 5.VOLTAGE:40V MAX
- 6.WITHSTANDING VOLTAGE:500V AC MIN.(UNMATED)
- 7.CONTACT RESISTANCE:30MN MAX.
- 8.INSULATION RESISTANCE:100MN MIN.(UNMATED)
- 9.OPERATING TEMPERATURE RANGE:-20.C TO +85.C
- 10.ALL THE MATERIAL SHOULD COMPLY WITH THE ROHS REQUIREMENT.



深圳市鑫南天科技有限公司

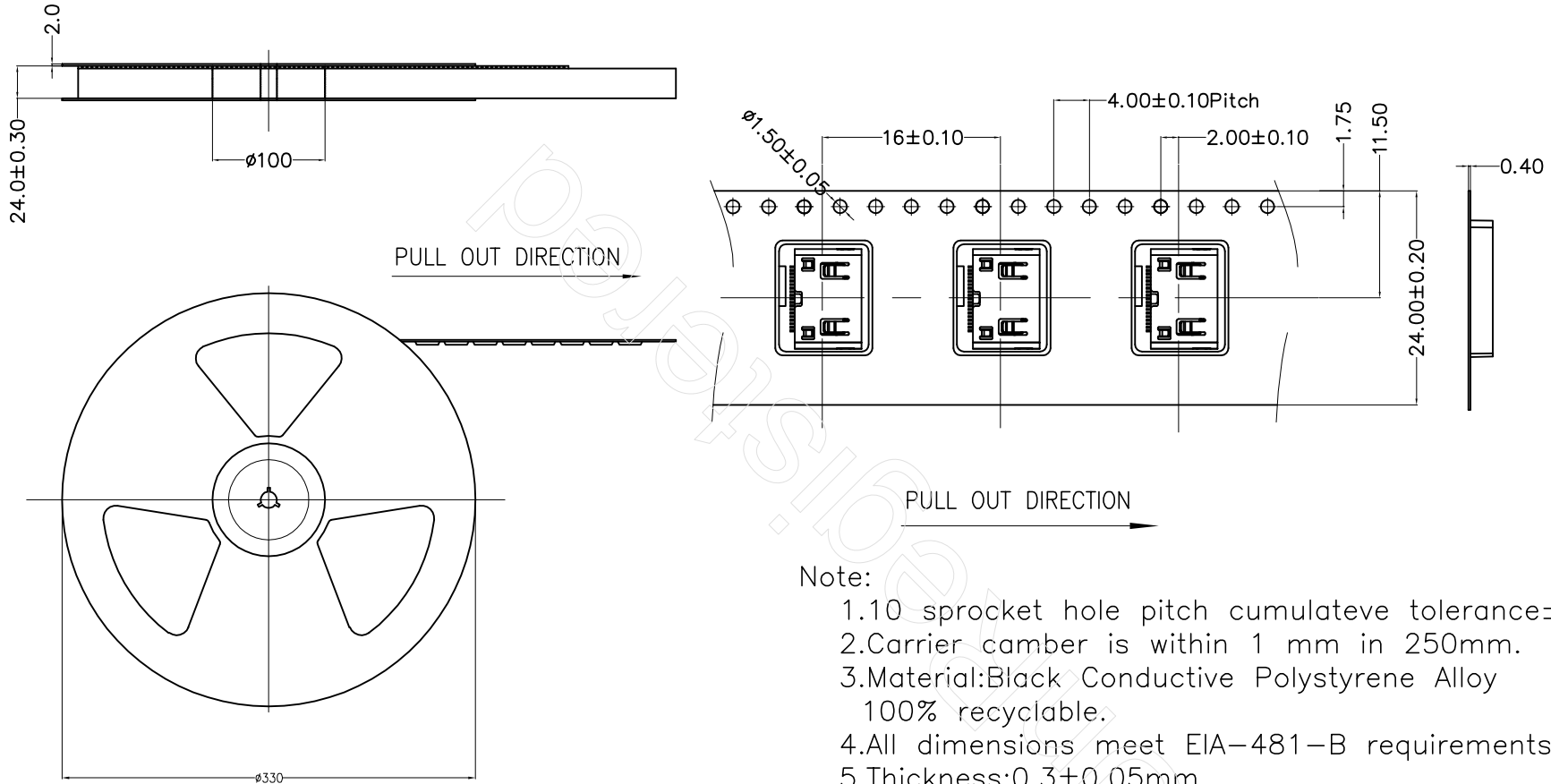
Shen zhen Shi Xin Nan Tian Industrial Co., Ltd

DIMENSIONS INIT: mm
UNLESS OTHERWISE SPECIFIABLE
DIMENSION TOLERANCE
X.X: ± 0.25
X.XX: ± 0.10
X.XXX: ± 0.05
ANGULAR: ± 1°

PRODUCT NAME : MINI-HDMI 19Pin SMT C TYPE	DRAWING: COCO	DATE: 2008/12/10
PRODUCT NO. : 0021*AA*19*	CHECK: JANY	DATE: 2008/12/10
DRAWING NO. : NT-003	APPROVED: JEFF	DATE: 2008/12/10
SCALE: 1:1	DWG ID: P D	REV.: B
		PAGE: 1 of 1

REVISION NO.	ECR NO.	DESCRIPTION	MARK	DATE
1				
2				

* 所有原料材质, 生产制程, 电镀必须符合ROHS要求



Note:

1. 1.10 sprocket hole pitch cumulative tolerance ± 0.2
2. Carrier camber is within 1 mm in 250mm.
3. Material: Black Conductive Polystyrene Alloy
100% recyclable.
4. All dimensions meet EIA-481-B requirements.
5. Thickness: 0.3 ± 0.05 mm.
6. Component load per 13" reel: 1000 pcs.
7. A box of 12 volumes, 12000PCS



深圳市鑫南天科技有限公司

Shen zhen Shi Xin Nan Tian Industrial Co., Ltd

DIMENSIONS INIT: mm UNLESS OTHERWISE SPECIFIABLE DIMENSION TOLERANCE X.X: ± 0.25 X.XX: ± 0.10 X.XXX: ± 0.05 ANGULAR: $\pm 1^\circ$	PRODUCT NAME :	MINI-HDMI 19Pin SMT C TYPE Reel	DRAWING:	COCO	DATE:	2008/12/10	
	PRODUCT NO. :	0021*AA*19*	CHECK:	JANY	DATE:	2008/12/10	
	DRAWING NO. :	NT-003	APPROVED:	JEFF	DATE:	2008/12/10	
	SCALE:	1:1	DWG ID:	P D	REV.:	A	PAGE:

REVISION NO.	ECR NO.	DESCRIPTION	MARK	DATE
1				
2				