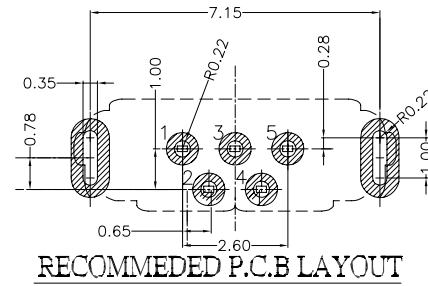
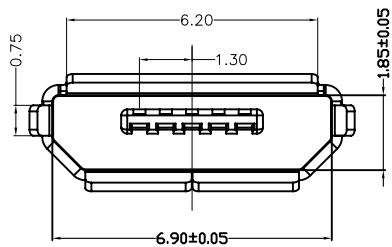
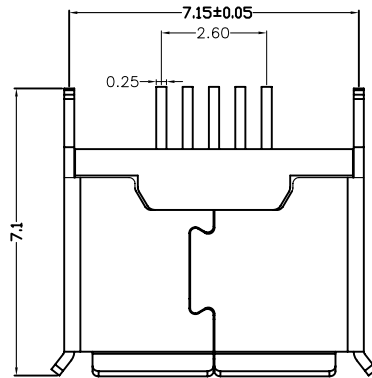
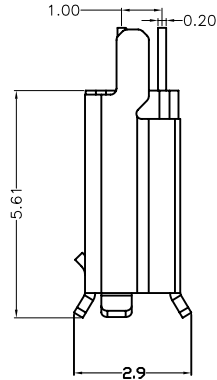
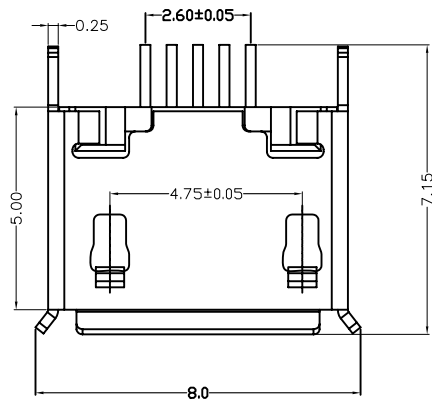


REV	ECNNO.	DESCRIPTION	DRWN	APPD.	DATE.



RECOMMENDED P.C.B LAYOUT

**Note:**

**1. Material:**

- 1.1 Housing: High temperature thermoplastic with g. f, UL94v-0
- 1.2 Contact: copper alloy, t=0.20mm
- 1.3 Shell: copper alloy, t=0.25mm

**2. Specification:**

- 2.1 Current rating: 1 A Max.
- 2.2 Dielectric withstanding voltage: 100 V(ac) for 1 min.
- 2.3 Contact resistance: 50 mW Max.
- 2.4 Insulation resistance: 100 MW Min.
- 2.5 Total mating force: 3.57 Kgf Max.
- 2.6 Total unmating force: 1.0 Kgf Min. 0.81~2.05 Kgf Min. after 3000 insertion/extraction cycles
- 2.7 Temperature range: -30. C~80. C

UNITS	SCALE
MM	1:1
GENERAL TOLERANCE	
X.	±0.30
X.X	±0.20
X.XX	±0.10
X.°	±3°
X.X°	±2°

**深圳市鑫南天科技有限公司**

DR. Aaron		TITLE: MICRO 5P/F B TYPE 180插板	
CHK. Aaron		MAT'L:	DWGNO:
APPD. PANYUFENG	DATE: 2013.01.28	P	PARTNO: XNTMICROUSB180CB
			SIZE: A4