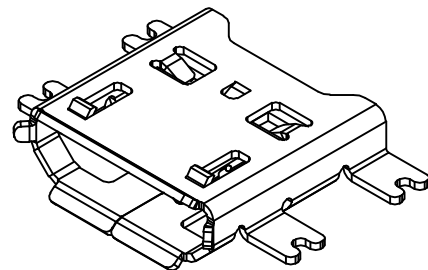
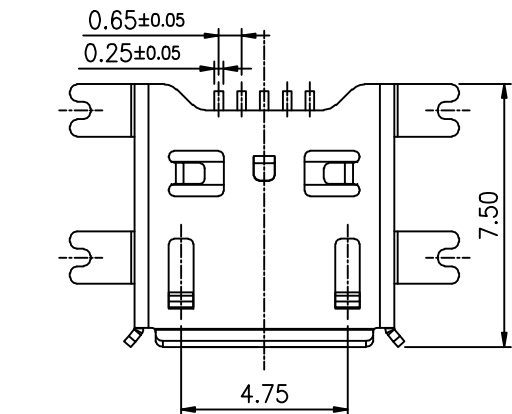
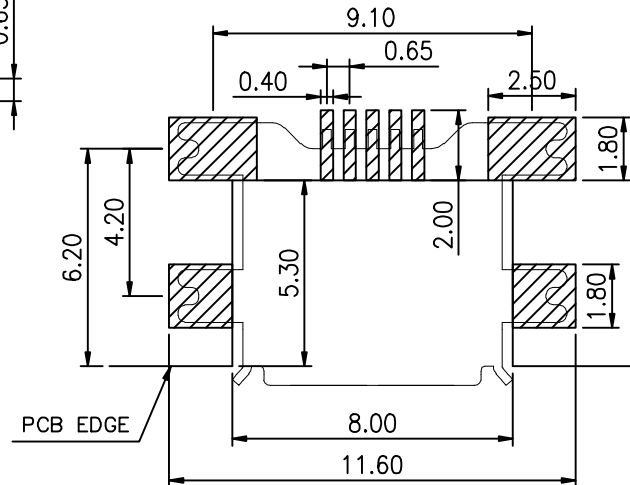
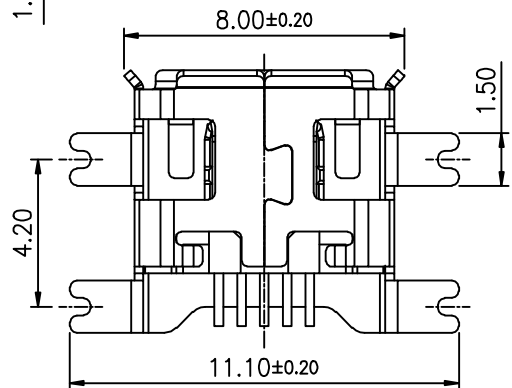
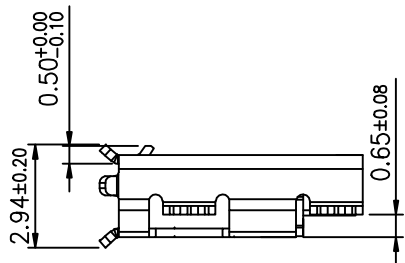
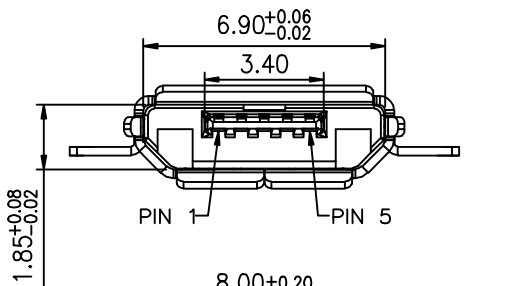


1 2 3 4 5 6 7 8 9 10

A
B
C
D
E
F
G



- 1. MATERIAL:**
 HOUSING: HIGH-TEMP, COLOR: BLACK, UL94V-0
 CONTACT: COPPER ALLOY
 SHELL: STAINLESS STEEL
- 2. PLATING:**
 CONTACT: FULL GOLD FLASH PLATED OVER NI
 SHELL: MATT TiN PLATED OVER NI
- 3. SPECIFICATION:**
- 3.1. ELECTRICAL CHARACTERISTICS**
 CURRENT RATING: 1.0A
 OPERATING: 30V
 CONTACT RESISTANCE: 30mΩ MAX
 INSULATION RESISTANCE: 1000MΩ MIN
 DIELECTRIC WITHSTANDING VOLTAGE: 100V AC FOR 1 MINUTE
 TEMPERATURE RANGE: -20° C TO +85° C
- 3.2. MECHANICAL**
 MATING CYCLE: 10000 CYCLES MIN
 MATING FORCE: 35N MAX
 UNMATING FORCE: 8N MIN



RECOMMENDED P.C.B. LAYOUT
 TOLERANCE: ±0.05
 TOP VIEW

				ENGINEERING		DRAW		SCALE 5:1		深圳市鑫南天科技有限公司 Shen zhen Shi Xin Nan Tian Industrial Co.,Ltd	
				X.	±0.20	DESIGN		UNIT	mm		
				X.X	±0.15	CHECK		SIZE	A4	PART NO.	XNT-MICRO 5P X0086
				X.XX	±0.10	APPROVE		SHEET	1/1	TITLE:	MICRO-USB-5PIN 贴片 沉板式 H=0.7
AO	11/06/07	NEW		Angle	± 2'			PROJ.	☞	DRAWING NO.	
REV	DATE	MODIFICATION DESCRIPTION		DIM	TOL						

1 2 3 4 5 6 7 8 9 10