

NOTES:

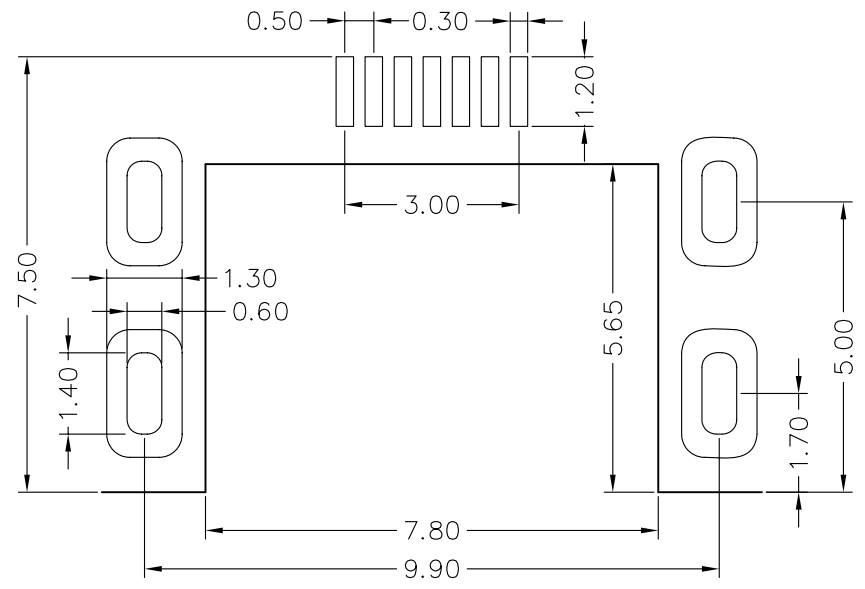
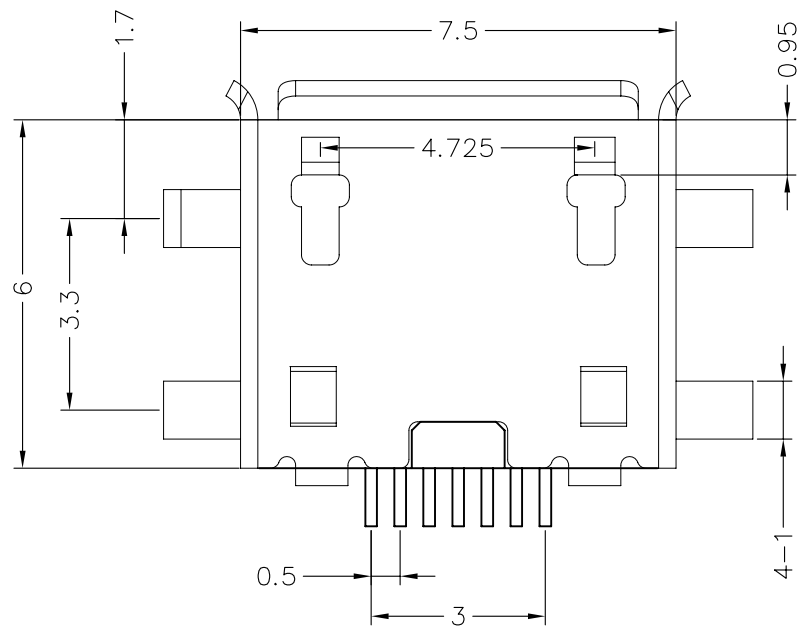
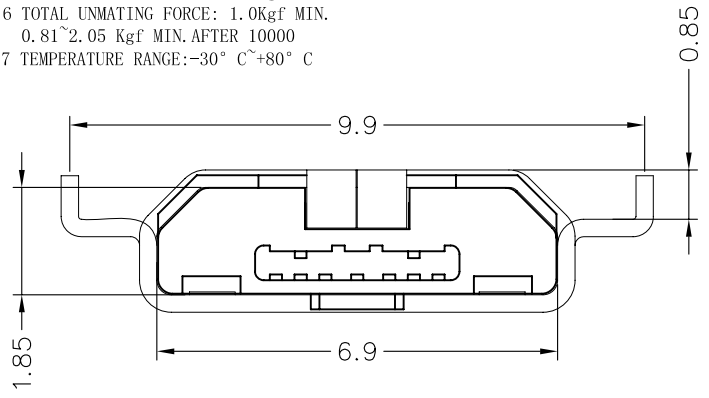
MATERIAL:

- 1.1 HOUSING:HIGH TEMPERATURE THERMOPLASTIC
UL94V-0
- 1.2 CONTACT:COPPER ALLOY T=0.12mm
- 1.3 SHELL: SUS304,T=0.30 mm

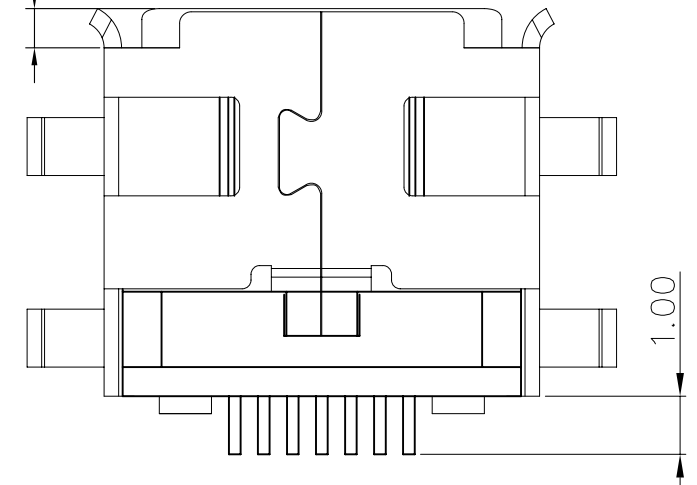
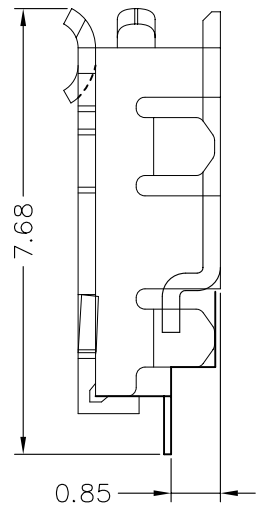
2. SPECIFICATIONS:

- 2.1 CURRENT RATING:1 A MAX
- 2.2 DIELECTRIC WITHSTANDING
VOLTAGE:100 VAC FOR 1min
- 2.3 CONTACT RESISTANCE:30 MILLIOHMS
- 2.4 INSULATION RESISTANCE:100 MEGAOHMS
- 2.5 TOTAL MATING FORCE: 3.57 Kg_f MAX.
- 2.6 TOTAL UNMATING FORCE: 1.0Kg_f MIN.
0.81~2.05 Kg_f MIN. AFTER 10000
- 2.7 TEMPERATURE RANGE:-30° C~+80° C

REV	ECN. NO:	B Y	DATE
A/0	Nwe draw		08/28' 12



RECOMMENDED PCB LAYOUT
TOLERANCE: ±0.05



<p>公 差 参 考 表</p> <p>UNLESS OTHERWISE SPECIFIED</p> <p>X.X ±0.25</p> <p>X.XX ±0.15</p> <p>X.XXX ±0.10</p>	<p>深 圳 市 鑫 南 天 科 技 有 限 公 司</p>		
	APPD:	Product title:	
	CHECK:	產品名稱: Micro Usb 7pin 沉板0.8	
	DRAW:	Bridge	Product NO:
	繪圖: Kitty	Scale: 1:1	Unit: mm