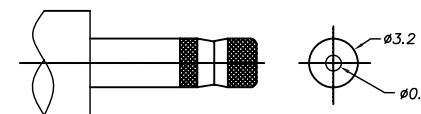
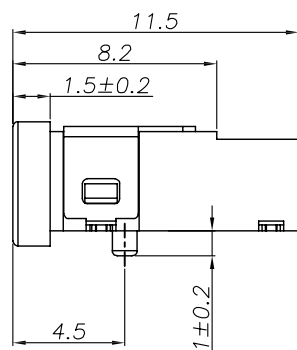
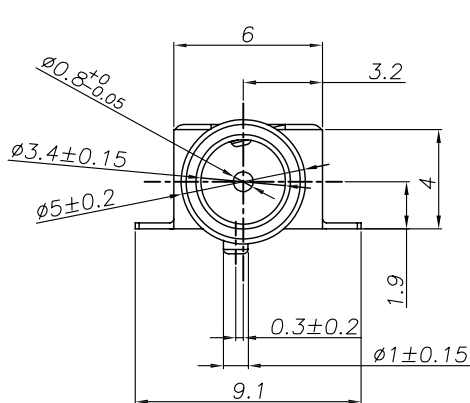


□ : TERMINAL NO.

RECOMMENDED P. C. B. LAYOUT  
UNSPECIFIED TOLERANCE:  $\pm 0.05$   
(TOP VIEW)



DC MATE PLUG

Specification:

1. Rating : DC 30V 1A.
2. Contact resistance:  $\leq 30m\Omega$ .  
After test:  $\leq 50m\Omega$ .
3. Insulation resistance:  $\geq 100M\Omega$  (500VDC).  
After test:  $\geq 50M\Omega$ .
4. Withstanding voltage: 500VAC.
5. Insertion and extraction force: 3N~30N.
6. life test: 5000cycles min.
7. Operation temperature range:  $-20^{\circ}C \sim 70^{\circ}C$ .
8. Preservative temperature range:  $-40^{\circ}C \sim 85^{\circ}C$ .



深圳市鑫南天科技有限公司  
Shenzhen XinNanTian Technology Co., Ltd

DIMENSIONS UNIT: mm  
UNLESS OTHERWISE SPECIFIABLE

DIMENSION	TOLERANCE
X, X:	$\pm 0.38$
X, XX:	$\pm 0.25$
X, XXX:	$\pm 0.10$
ANGULAR:	$\pm 1^{\circ}$

PRODUCT NAME : DC jack	DRAWING : COCO	DATE: 2012/03/10
PRODUCT NO. : XNT-DC-00850-D	CHECK : JANY	DATE: 2012/03/11
DRAWING NO. : XNT-DC-00850	APPROVED : JEFF	DATE: 2012/03/11
SCALE: 1:1	DWG ID: C D	REV. : A
		PAGE: 1 OF 1

REVISION NO.	ECR NO.	DESCRIPTION	MARK	DATE
1				
2				
3				