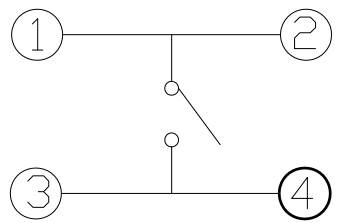
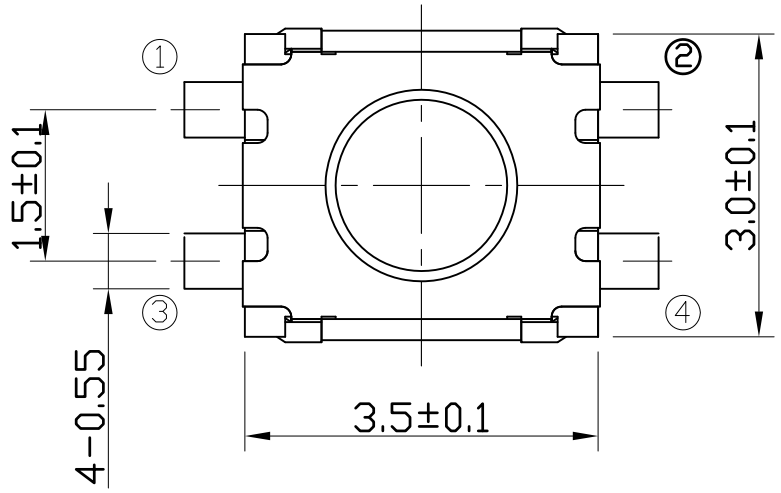
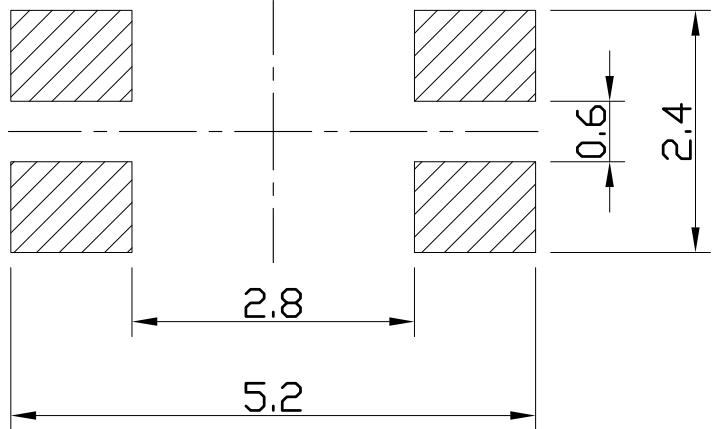


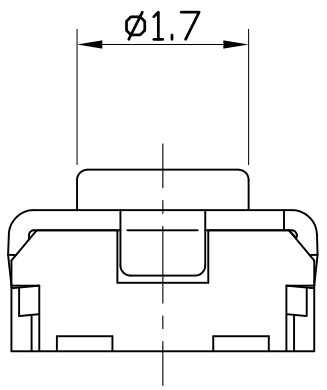
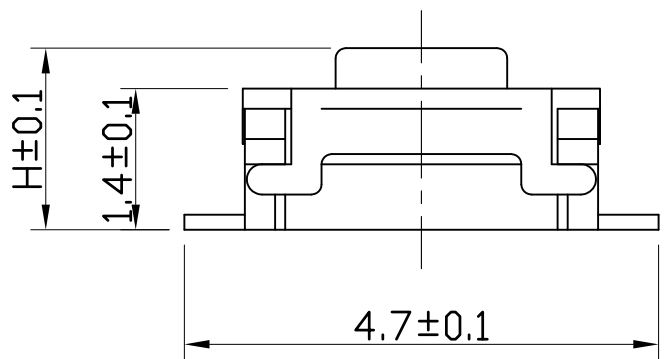
RevNo	Revision note	Date	Signature



CIRCUIT DIAGRAM



P.C.B LAND DIMENSION



REFERENCE DRAWING

NOTE

1. RATING : DC 12V 50mA
2. CONTACT RESISTANCE : 100m Ω MAX
3. GENERAL TOLERANCE : ±0.2
4. MANUFACTURING SPECIFICATION WOULD BE ACCORDANCE WITH WT0158

TS-018 4PIN		1.8 mm	BLACK	BLACK	180±30gf	50,000 Cycles
MODEL NO.	CODE NO.	"H"	STEM COLOR	BASE COLOR	O/FORCE	LIFE

Designed by	L.Y.D		深圳市鑫南天科技有限公司							
Checked by			Unit	mm	Scale	1/1	Date	2011.10.14		
Approved by		Item	Tactile Switch		Tool	A-Cad	Sheet	1/1	Rev.	0
Model	3.0X3.5 Vertical Flat		Drawing name		ASSEMBLY					

由 Autodesk 教育版产品制作

由 Autodesk 教育版产品制作