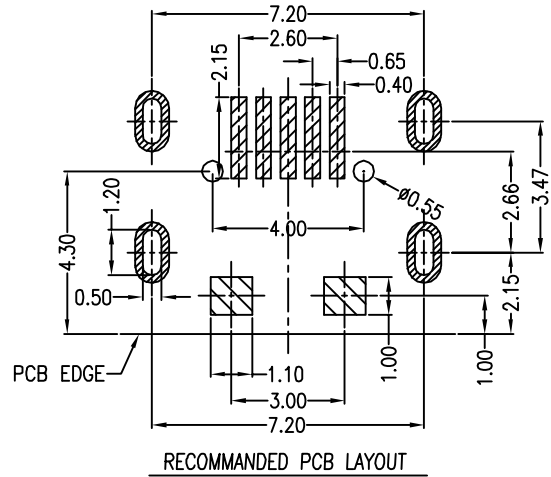
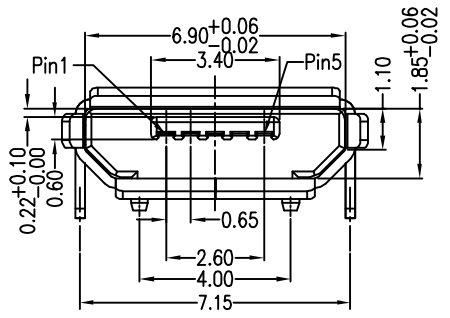
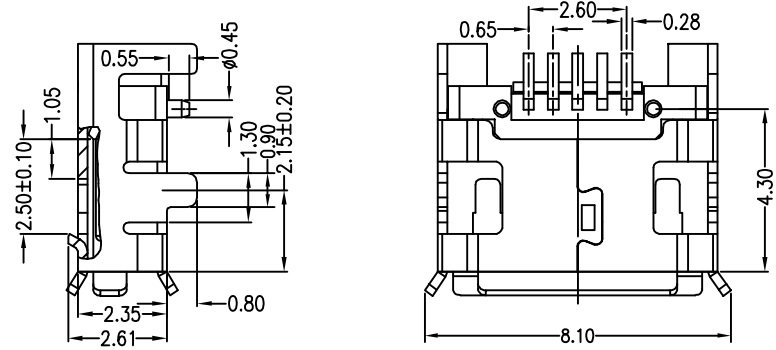
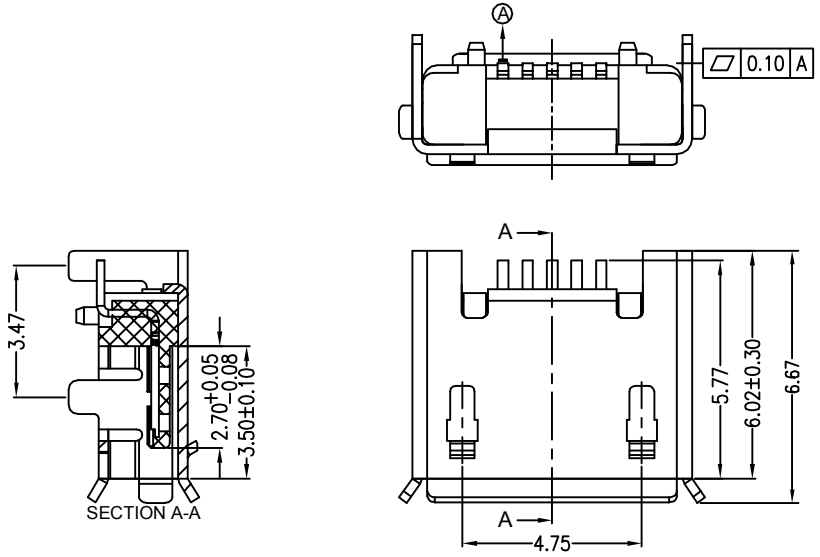


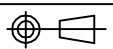
REV.	ECN NO	LOCATIONS	DESCRIPTION	DATE

A  
B  
C  
D  
E  
F

A  
B  
C  
D  
E  
F



PART NO: A01SB141B1-395		MATERIAL		深圳鑫南天科技有限公司	
MODEL NO: XX		FINISH:			
UNIT: MM	SIZE: A4	COLOR:		TITLE: Micro usb 5P/F B Type SMT DIP7.2 有柱脚长0.8四脚全插 加长0.75	
TOLERANCE UNSPECIFIED		DR:		DWG NO: A395	
.x	0.15	CHK:		REV: A	
.xx	0.10	APP:		SCALE: 5:1	
.xxx	0.05	DATE: 2014.04.11		DATE: 2014.04.11	
Ang.	1°	DATE: 2014.04.11		DATE: 2014.04.11	



1 2 3 4 5 6 7 8