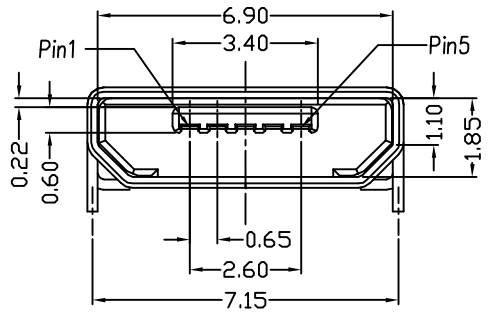
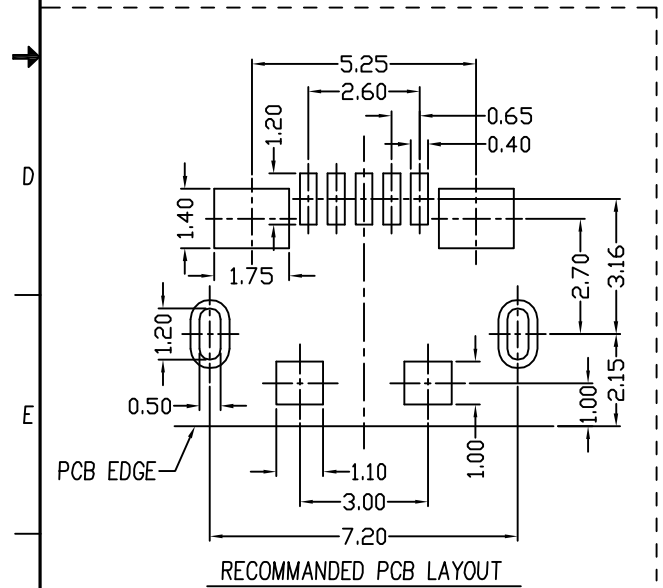
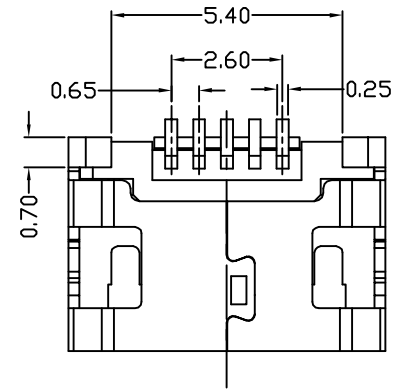
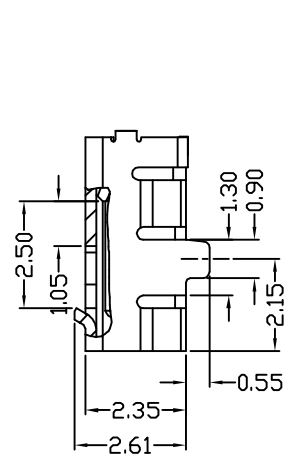
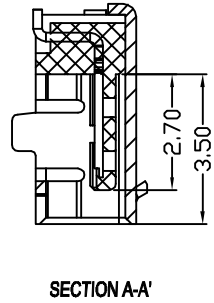
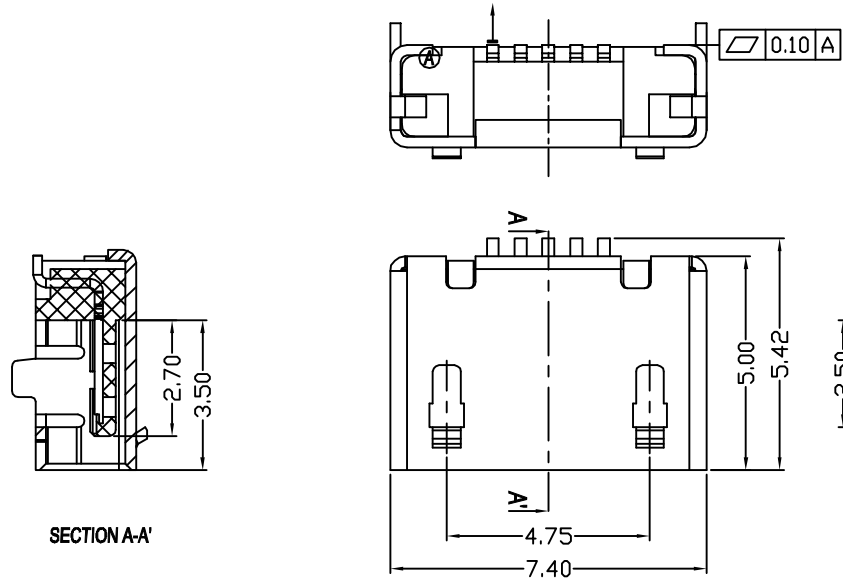


REV.	ECN NO	LOCATIONS	DESCRIPTION	DATE	REVSER	APPD



Notes:

- Materials:
 - Housing: High temperature thermoplastic with g.f,UL94 v-0.
 - Contact: copper alloy,t=0.20mm.
 - Shell: copper alloy,t=0.25mm.
- Specifications:
 - Current rating: 1 A Max.
 - Dielectric withstanding:voltage: 100 V(ac) for 1 min.
 - Contact resistance: 50 mW Max.
 - Insulation resistance: 100 MW Min.
 - Total mating force: 3.57 Kgf Max.
 - Total unmating force: 1.0 Kgf Min.0.81~2.05 Kgf Min.after 10000 insertion/extraction cycles
 - Temperature range: -30°C~+80°C

PART NO: MICROUSB720000		MATERIAL: SEE NOTE		深圳市鑫南天科技有限公司 Shenzhen XinNanTian Industrial Co.,Ltd	
MODEL NO: MICROUSB720000-DIP		FINSH: SEE NOTE			
UNIT: mm	SIZE: A4	COLOR: SEE NOTE		TITLE: Micro usb 5P/F B Type SMT (外壳DIP 7.2)	
TOLERANCE UNSPECIFIED		DR: COCO		DWG NO: A107	
.x	±0.38	CHK: JANY		REV: A	
.xx	±0.25	APP: JEFF		SCALE: 1:1	
.xxx	±0.13			SHEET: 1/1	
ANG.	±2°				

No.	Name	Q'ty	Finish
3	Shell	1	N/A
2	Contact	5	N/A
1	Housing	1	N/A