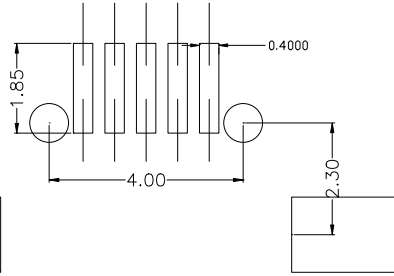
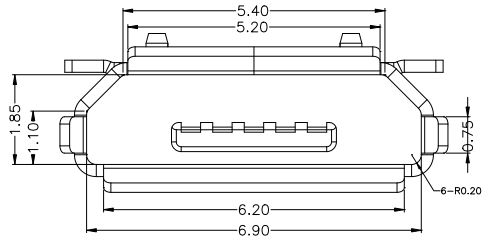
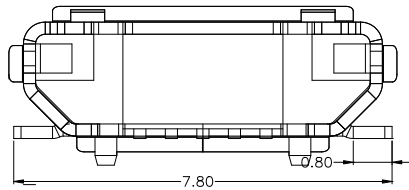
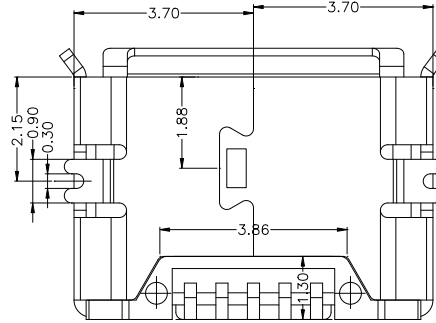
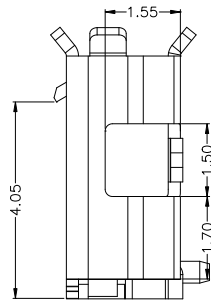
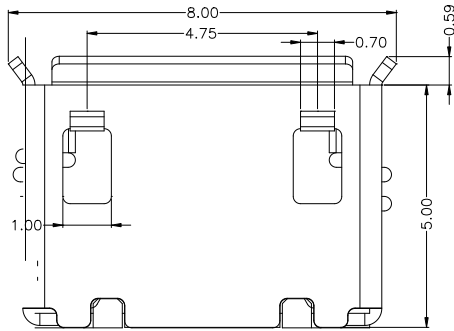


文件类型: 产品图面

REV.	ECN NO.	DESCRIPTION	DRWN	APPD.	DATE.



PCB LAYOUT



Specifications:

Electrical:

- Current Rating  
1.0A/contact terminal
- Voltage Rating  
30V DC
- Contact Resistance  
50 milliohms MAX
- Dielectric Withstanding Voltage:  
300 V AC AT Sea Level
- Insulation Resistance:  
100MEGA ohms MIN

Mechanical:

- Connector Mate and Unmate Force  
Mate force: 3.0kgf (MAX)  
Unmate force: 0.7kgf (MIN)
- Terminal Retention  
0.5kgf (MIN)

Material:

- Housing:  
High Temperature Thermoplastics,  
UL 94V-0 LCP Black
- Contact: Copper Alloy C2680
- Shell: Copper Alloy C2680

Finish:

- Contact: Plated Gold in Mating Area;  
Tin On Solder Tails
- Shell:  
Nickel Plating

UNITS MM	SCALE 1:1
GENERAL TOLERANCE	
X.	±0.30
X.X	±0.20
X.XX	±0.10
X.°	±3°
X.X°	±2°

深圳市鑫南天科技有限公司

Shen zhen Shi Xin Nan Tian Industrial Co.,Ltd

DR. Jack	TITLE: MICRO USB 5P/F SMT B型(有柱)		
CHK. Jack	MAT'L:	DWG NO: XNT0436-B	
APPD. ZHANYUFENG	DATE:	P	PART NO:
			SIZE A4

1

2

3

4

5

6