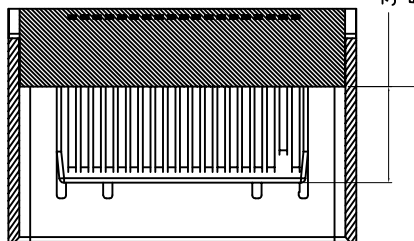
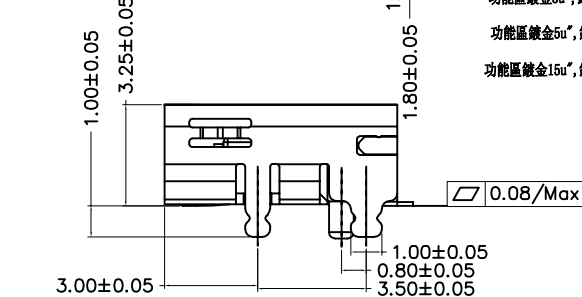
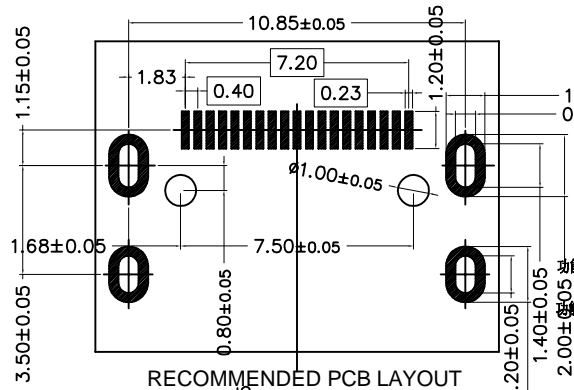
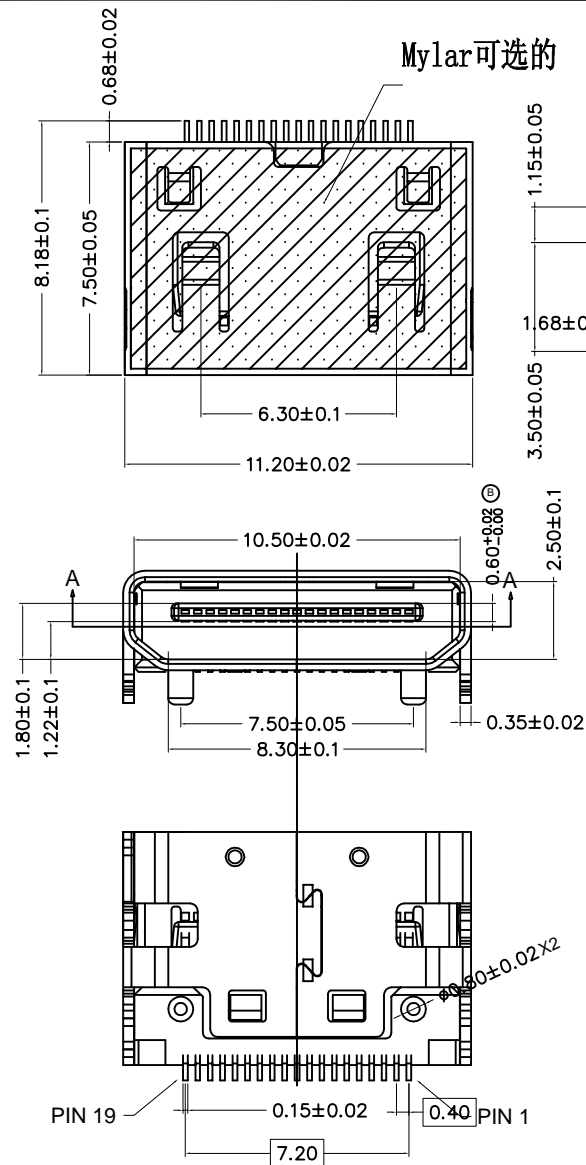


* 所有原料材质, 生产制程, 电镀必须符合ROHS要求



- SPECIFICATION:
- 1.MATING FORCE:44.1N MAX
 - 2.UNMATING FORCE:7-25N
 - 3.DURABILITY: 5000 CYCLES MIN
 - 4.CURRENT:0.5A
 - 5.VOLTAGE:40V MAX
 - 6.WITHSTANDING VOLTAGE:500V AC MIN.(UNMATED)
 - 7.CONTACT RESISTANCE:30MN MAX.
 - 8.INSULATION RESISTANCE:100MN MIN.(UNMATED)
 - 9.OPERATING TEMPERATURE RANGE:-20.C TO +85.C
 - 10.ALL THE MATERIAL SHOULD COMPLY WITH THE ROHS REQUIREMENT.

PART NO.

002 1 * A A * 19 *

流水码

- A=DIP型外壳
- B=SMT型外壳
- C=DIP型外壳表面有XNT LOGO
- D=DIP型外壳, 表面有Mylar
- E=3.5外壳

- Q= 外壳全部镀金1u"
- R= 外壳100u"可焊性镀Ni

- 功能区域镀金1u" 焊接脚纯亮锡100u" (符合ROHS制程) A=
- 功能区域镀金3u" 焊接脚纯亮锡100u" (符合ROHS制程) B=
- 功能区域镀金1u", 锡脚镀金1u" (符合ROHS制程) G=
- 功能区域镀金3u", 锡脚镀金1u" (符合ROHS制程) H=
- 功能区域镀金5u", 锡脚镀金1u" (符合ROHS制程) K=
- 功能区域镀金15u", 锡脚镀金1u" (符合ROHS制程) L=

Table 4-17 Type C-to-Type C Cable Wire Assignment	
Type C pin	Signal Name
1	TMDS Data2 Shield
2	TMDS Data2+
3	TMDS Data2-
4	TMDS Data1 Shield
5	TMDS Data1+
6	TMDS Data1-
7	TMDS Data0 Shield
8	TMDS Data0+
9	TMDS Data0-
10	TMDS Clock Shield
11	TMDS Clock+
12	TMDS Clock-
13	DDC/CEC Ground
14	CEC
15	SCL
16	SDA
17	Utility
18	+5V Power
19	Hot Plug Detect

REVISION NO.	ECR NO.	DESCRIPTION	MARK	DATE
1				
2				

深圳市鑫南天科技有限公司

Shen zhen Shi Xin Nan Tian Industrial Co., Ltd

DIMENSIONS INIT: mm	PRODUCT NAME: MINI-HDMI 19Pin SMT C TYPE	DRAWING: COCO	DATE: 2008/12/10
UNLESS OTHERWISE SPECIFIABLE	PRODUCT NO.: 0021*AA*19*	CHECK: JANY	DATE: 2008/12/10
DIMENSION TOLERANCE	DRAWING NO.: NT-003	APPROVED: JEFF	DATE: 2008/12/10
X.X: ± 0.25		SCALE: 1:1	DWG ID: P D
X.XX: ± 0.10		REV.: B	PAGE: 1 of 1
X.XXX: ± 0.05			
ANGULAR: ± 1°			