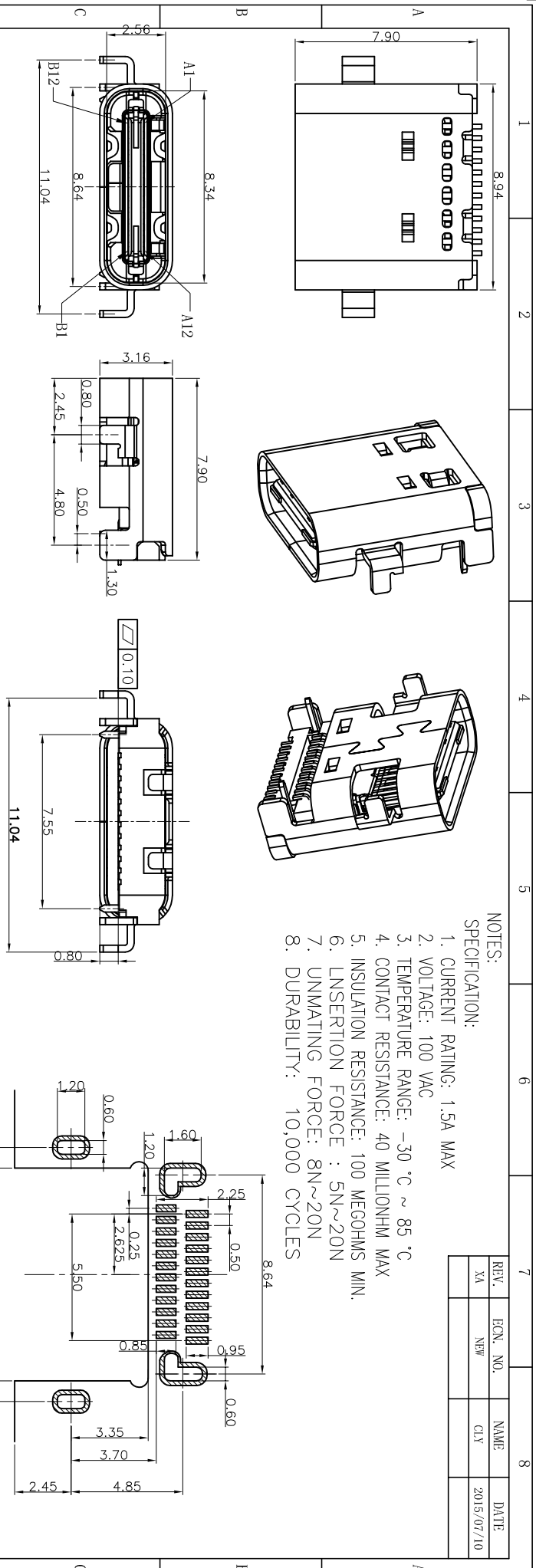
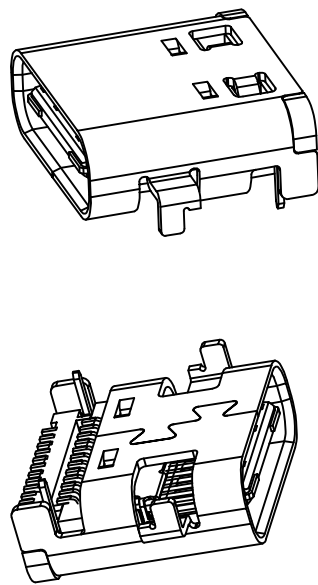


REV.	ECN. NO.	NAME	DATE
XA	NEW	CLY	2015/07/10

- NOTES:
SPECIFICATION:
- CURRENT RATING: 1.5A MAX
 - VOLTAGE: 100 VAC
 - TEMPERATURE RANGE: -30 °C ~ 85 °C
 - CONTACT RESISTANCE: 40 MILLIONHM MAX
 - INSULATION RESISTANCE: 100 MEGOHMS MIN.
 - INSERTION FORCE : 5N~20N
 - UNMATING FORCE: 8N~20N
 - DURABILITY: 10,000 CYCLES



PIN	SIGNAL NAME	PIN	SIGNAL NAME
A1	GND	B12	GND
A2	SSTXP1	B11	SSRX1
A3	SSTXM1	B10	SSRX1
A4	VBUS	B9	VBUS
A5	CC1	B8	SBU2
A6	DP1	B7	DN2
A7	DN1	B6	DP2
A8	SBU1	B5	CC2
A9	VBUS	B4	VBUS
A10	SSRX2	B3	SSTXM2
A11	SSRX2	B2	SSTXP2
A12	GND	B1	GND

NO.	DESCRIPTION	MATERIAL	REMARKS	QTY
5	SHELL	STAINLESS STEEL	N/SN Plated	1PCS
4	SPRING	STAINLESS STEEL	---	1PCS
3	SHIELDING PLATE	STAINLESS STEEL	NI Plated	1PCS
2	CONTACT	COPPER ALLOY	Au/NI Plated	1SET
1	HOUSING	HIGH TEMPERATURE PLASTIC	BLACK	1PCS

CONNECTOR FRONT EDGE
RECOMMENDED P.C.B. LAYOUT
TOLERANCE UNSPECIFIED ±0.05mm

TOLERANCE UNSPECIFIED

±0.50
±0.38
±0.30
±0.25
±0.10
±3.00°

MANUFACTURING COPY

USB C TYPE F 沉板0.8mm 外壳脚距4.80 母座

ROHS Compliant

DRAWN BY:	COCO	SIZE:A4	UNIT:mm.	DRAWN BY:	XNTUTCBCB080480
CHECKED BY:	JANY	SCALE: 1:1	PROJECTION	CHECKED BY:	REV.: XA
APPROVED BY:	JEFF	DWG. PATH		APPROVED BY:	SHEET: 1/4

深圳市鑫南天科技有限公司