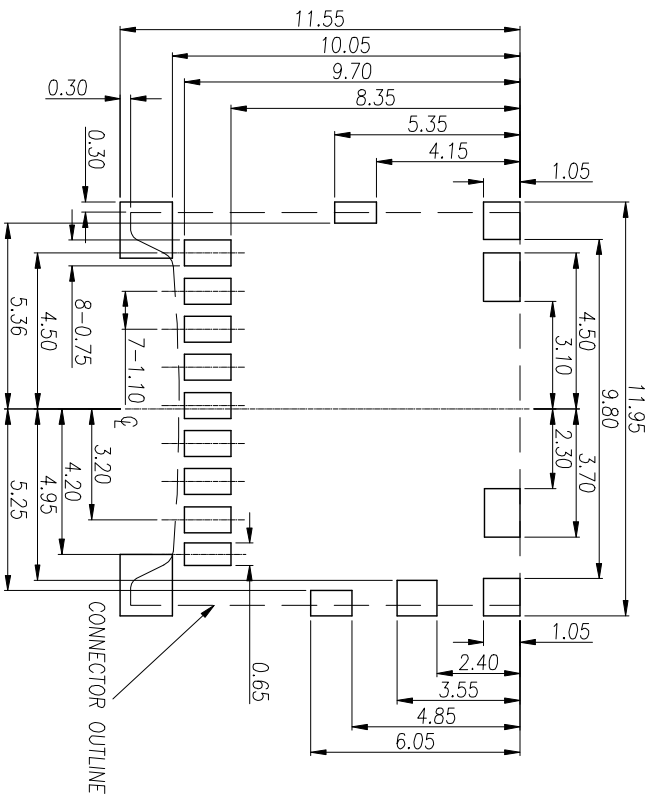
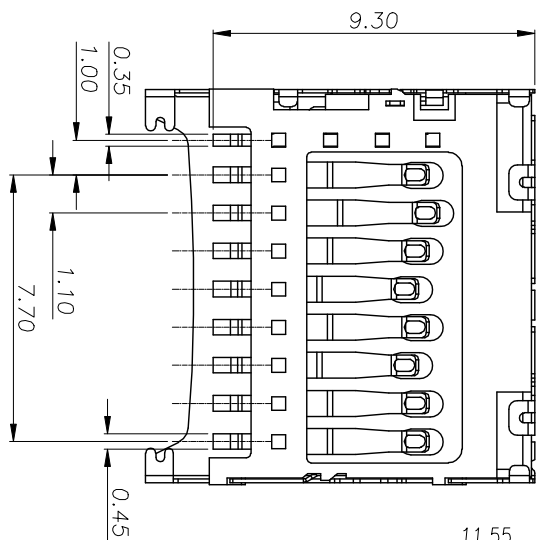
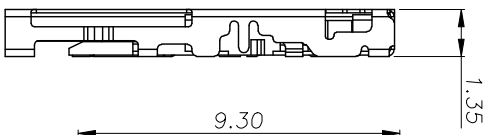
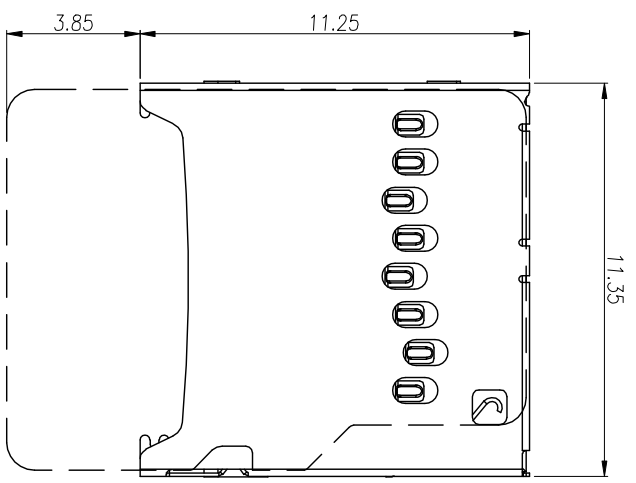
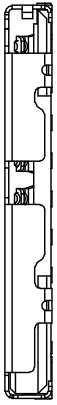
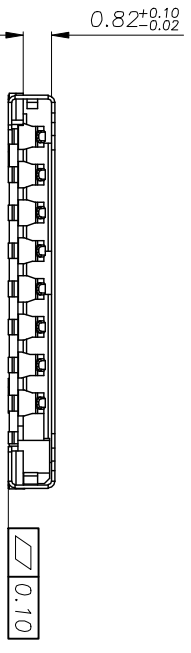


Rev No.	Description of Revision	Date	Name	Approved	ECN No.
A					



RECOMMENDED PCB LAYOUT
 GENERAL TOLERANCE ±0.05
 THERE SHOULD NOT BE ANY CIRCUITRIES
 IN THE LAOUT SPACE OF THE PRODUCTS.



UNLESS OTHERWISE
 SPECIFIED TOLERANCES



深圳市鑫南天科技有限公司

DECIMALS:	ANGLES	TITLE
X. ±0.20	X. ±2°	T CARD 1.32H

Checked	Approved	SCALE	UNIT	PROL
X.X ±0.15	X.X ±1°	1:1	mm	1
X.XX ±0.10	X.XX ±0.5°	SIZE	SHEET	REV.
X.XXX ±0.05		4A	1 OF 2	A

CUSTOMER COPY