

* 所有原材料材质, 生产制程, 电镀必须符合ROHS要求

Specification

MATERIAL:

Insulator: High Temperature Thermoplastic,
UL 94V-0.
Contact: Copper Alloy

PLATING:

Contact: Plated 50u' Ni Overall
Plated Au Selective Contact Area
Plated 100u' Sn Over Ni On Solder Area
Shell: Plated 50u' Ni Overall
Plated 1u' Au Selective Contact Area

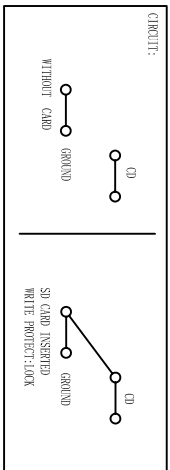
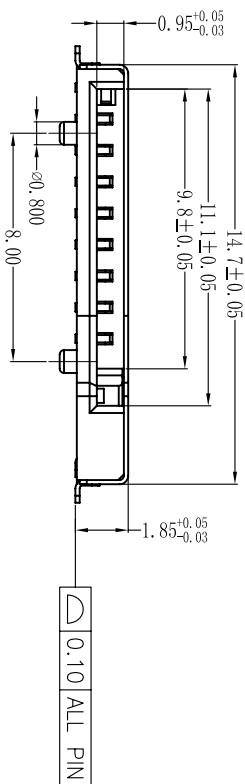
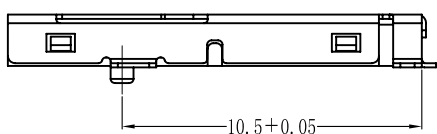
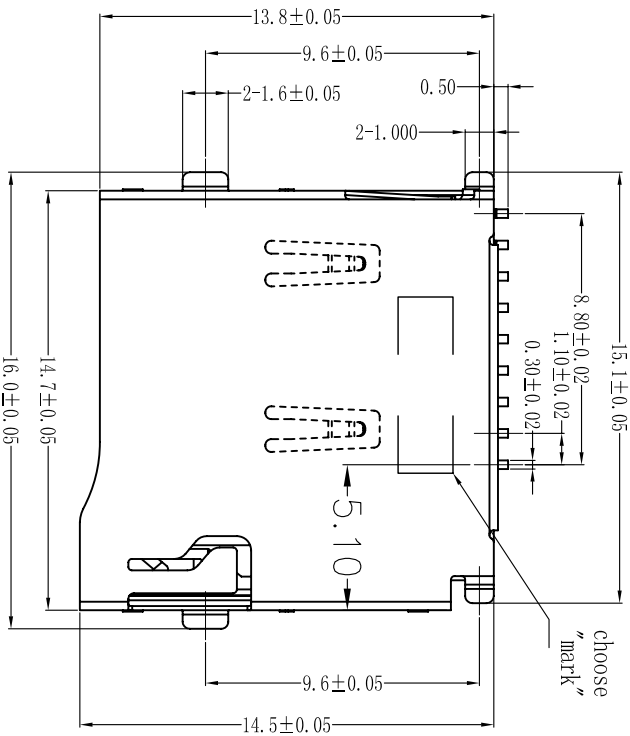
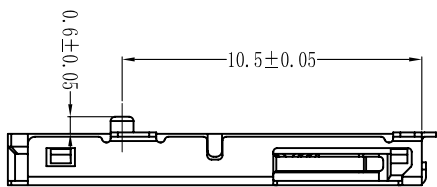
Electrical:

Current Rating :0.5mA AC/DC max.
Voltage Rating :125V AC/DC
Ambient Temperature Range :-25° C~+85° C
Storage Temperature Range :-25° C~+85° C
Ambient Humidity Range :95% R.H. Max.
Contact Resistance:100m Ω
Insulation Resistance:1000M min./500VDC
Mating Cycles:10,000 Insertions
产品耐温温度: 260° C USCL 70>+5° C
-9° C

PART NUMBER:

001 1 X A A X 09 X A SUS

- G:功能區鍍金1u',鍍腳Gold Flash(符合ROHS製程)
- H:功能區鍍金3u',鍍腳Gold Flash(符合ROHS製程)
- J:功能區鍍金5u',鍍腳Gold Flash(符合ROHS製程)
- S:功能區鍍金1u'焊接觸網線零錫100u'(符合ROHS製程)
- A:外壳表面无压片
- B:外壳表面有压片
- C:外壳表面无压片, XNT-1000



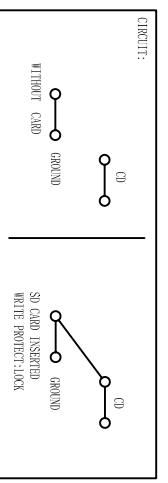
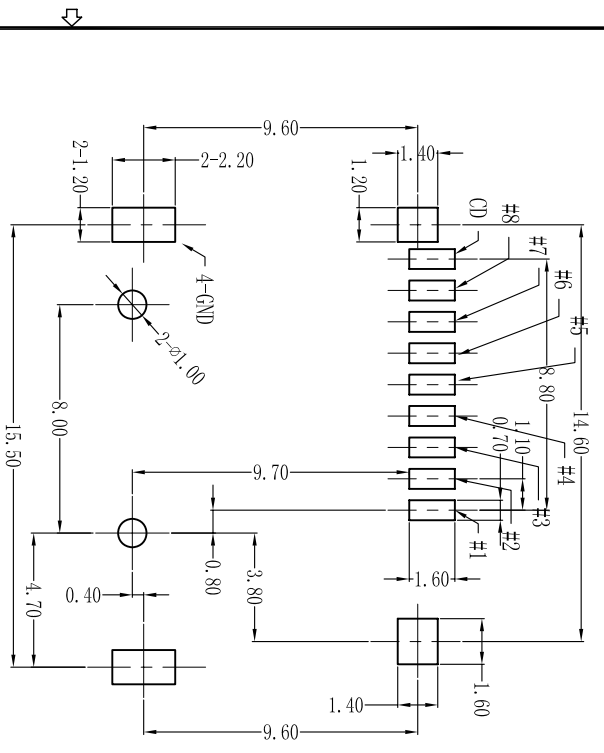
深圳市鑫南天科技有限公司
Shen zhen Shi Xin Nan Tian Industrial Co., Ltd

DIMENSIONS INT: mm		DIMENSIONS TOLERANCE	
UNLESS OTHERWISE SPECIFIABLE:			
X, X, ±	0.38	X, X, ±	0.25
X, X, ±	0.10	X, X, ±	0.10
ANGLE: ±	1°		
PRODUCT NAME:	T-FLASH 卡座PUSH/PUSH	DRAWING NO.:	NT-001
PRODUCT NO.:	0011XAA09X	SCALE:	1:1
DATE:	2008/04/10	DATE:	2009/04/11
DATE:	2009/04/11	DATE:	2009/04/11
DATE:	2009/04/11	DATE:	2009/04/11

REVISION NO.	1	DESCRIPTION		DATE	
REV. NO.	2				
	3				
	4				
	5				
	6				

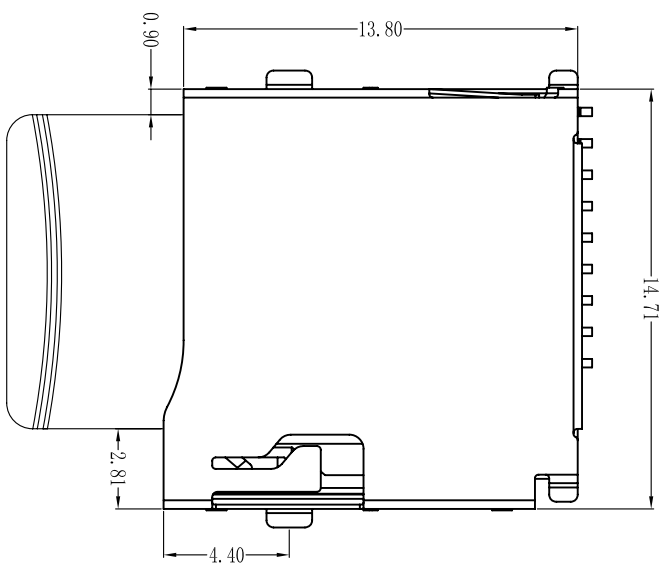
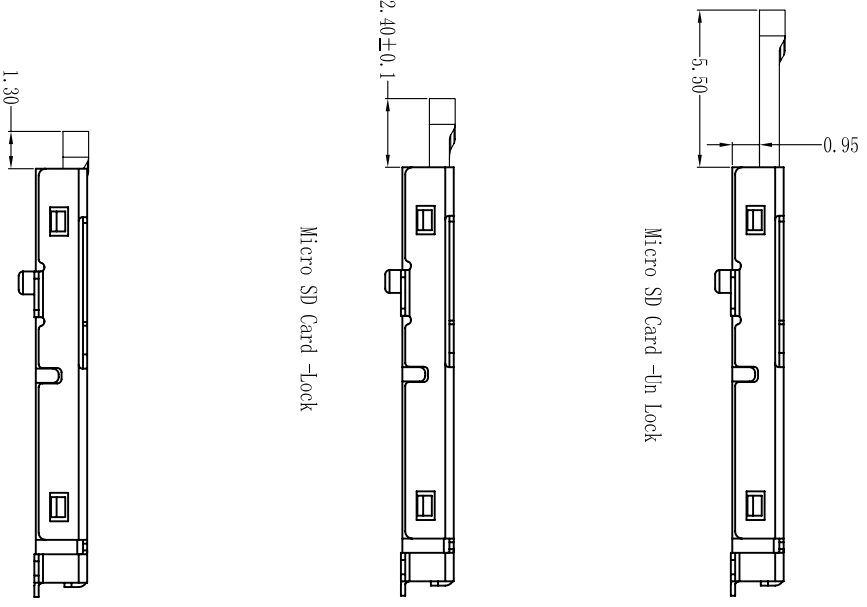
* 所有原材料材质, 生产制程, 电镀必须符合ROHS要求

RECOMMEND PCB LAYOUT:
(Unit:mm .X ± 0.15 .XX ±0.05 .XXX ± 0.02)



PIN NO.	PIN ASSIGNMENT
1#	DATA2 信号
2#	CD/DAT3 信号
3#	CMD 数据输入
4#	VDD 电压/电源
5#	CLK 时钟
6#	VSS 接地
7#	DATA0 信号
8#	DAT1 信号
9#	CD 侦测端

T-FLASH Card Insert Drawing:



REVISION NO.	REV NO.	DESCRIPTION	DATE
1	2		



深圳市鑫南天科技有限公司
Shen zhen Shi Xin Nan Tian Industrial Co., Ltd

DIMENSIONS INT: mm		UNLESS OTHERWISE SPECIFIABLE	
X.X ±	0.38		
X.XX ±	0.25		
X.XXX ±	0.10		
ANGLE: ±	1°		
PRODUCT NAME:	T-FLASH 卡座PUSH/PUSH	DRAWING NO.:	NT-001
PRODUCT NO.:	0011XAA00X	SCALE:	1:1
CHECK:	JANY	DATE:	2009/04/11
DATE:	2008/04/10	DATE:	2009/04/11
COCO		JEPF	
DATE:	2008/04/10	DATE:	2009/04/11
SCALE:	1:1	DATE:	2009/04/11
DATE:	2008/04/10	DATE:	2009/04/11

1	2	3	4	5	6
---	---	---	---	---	---