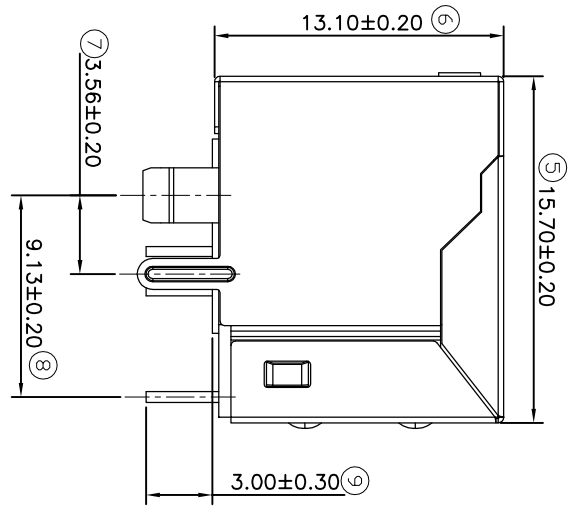
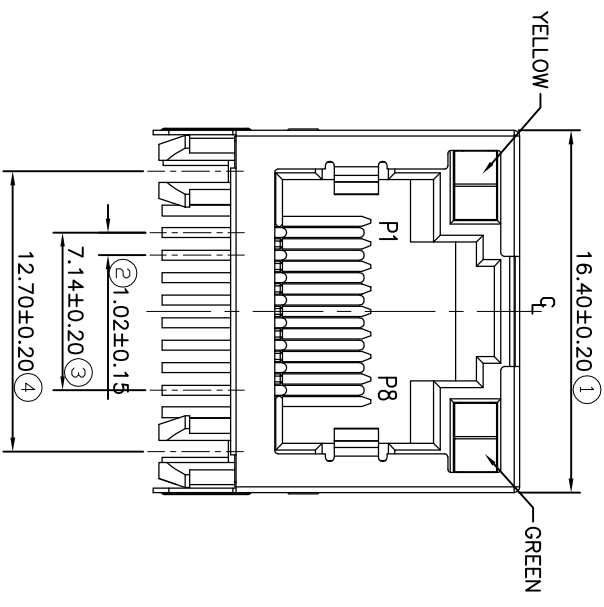
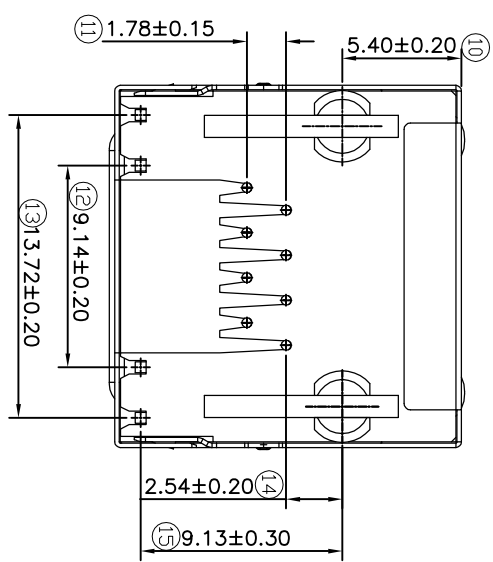


GP Component

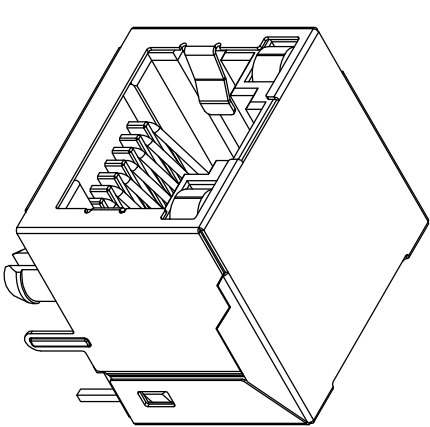
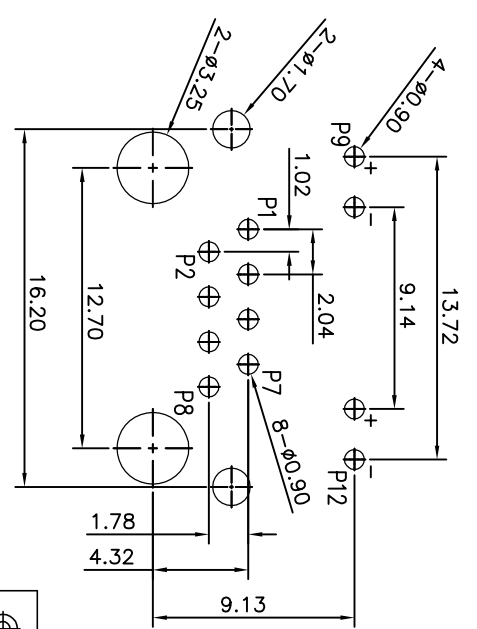
| REV. | ECN NO. | LOCATIONS | DESCRIPTION | DATE | DESIGN |
|------|---------|-----------|------------------------|------------|--------|
| A | | | 原始版本 (INITIAL EDITION) | 2014.10.20 | C000 |



- NOTE:
- MATERIAL:
 - HOUSING: (HIGH TEMP.)THERMOPLASTIC UL94V-0 BLACK
 - CONTACT: 0.46mm DIA COPPER ALLOY
 - SHELL: COPPER ALLOY
 - FINISH:
 - CONTACT: GOLD PLATED OVER
 - SHELL: NICKEL PLATING OVERALL
 - LED1: YELLOW
 - LED2: GREEN
 - PART NO. DESCRIPTION: RJA - 1 X X X X X X X X X X-003
- MARK 0:NO MARK
 PACKAGE 1:TYAR 2:REEL
 HSG COLOR 1:BLACK
- SHELL PLATING 2:NI
 CONTACT PLATING 1:GOLD
 HSG MATERIAL A:PPBT C:PA46



RECOMMENDED P.C.B LAYOUT
 TOP VIEW (COMPONENT SIDE)



| | | | |
|---|--|--|--|
| | | | |
| UNIT: mm [inch] | | TOLERANCE: ±0.35 | |
| X X | | X.XX ±0.25 | |
| X.XX | | X.XXX ±0.15 | |
| Angle ±3.0° | | SCALE:1:1 SIZE:A4 | |
| 深圳市鑫南天科技有限公司 SHEN ZHEN XIN NAN TIAN TECHNOLOGY CO., LTD | | DESIGN: C000 2014. 10. 20 CHECKED: JAVN 2014. 10. 20 APPROVED: JEFF 2014. 10. 20 | |
| PART NAME: RJA5 DIP 90度无弹有灯 | | PART NO. RJA-1XXXXXX-003 DRAW NO. XNTC-003-A SHEET NO. 01 OF 01 | |