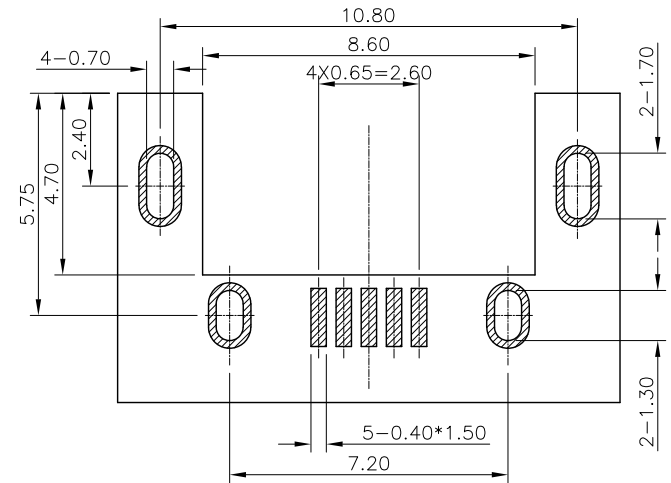
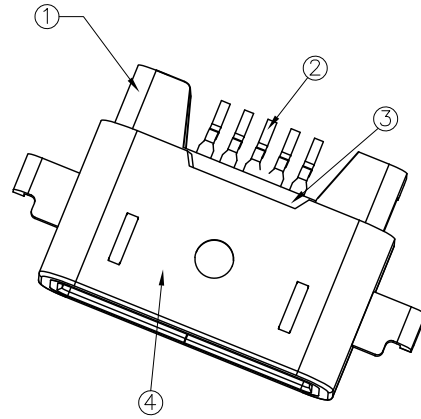
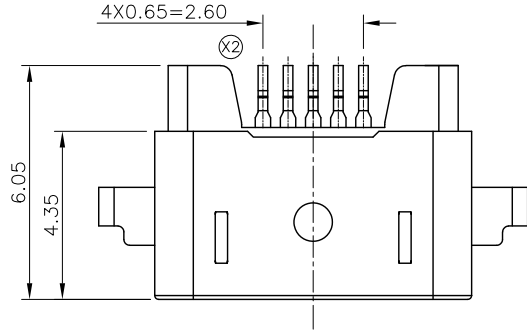
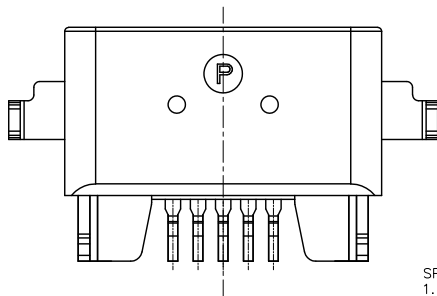
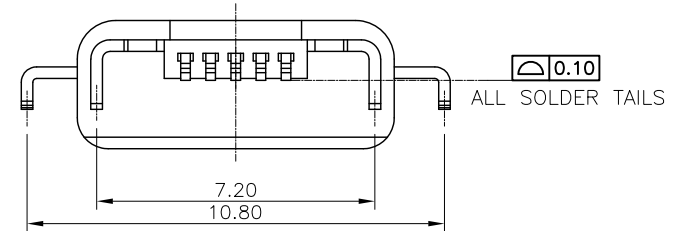
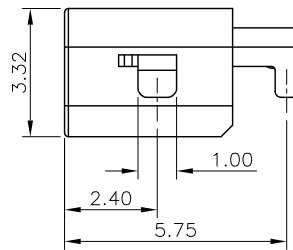
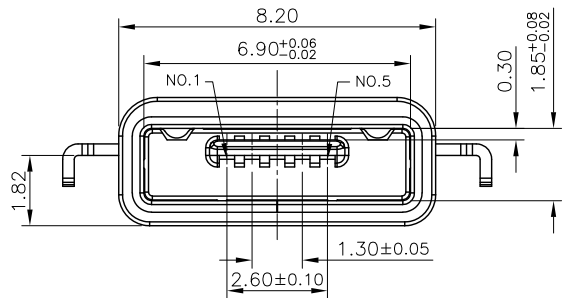


REV.	ECN. NO.	APPD.




RECOMMENDED PCB LAYOUT  
TOP VIEW (Tol:±0.05)



- SPECIFICATIONS:
- ELECTRICAL CHARACTERISTICS:
    - RATING: 3A(PIN1&5),0.5A(PIN2&3&4);
    - CONTACT RESISTANCE: 30 mΩ MAX.(INITIAL);
    - DIELECTRIC WITHSTANDING: 500V AC MIN.;
    - INSULATION RESISTANCE: 1000MΩ MIN.;
  - DURABILITY: 5,000 CYCLES MIN.;
  - INSERTION FORCE: 3.5Kgf (35N) Max.;
  - EXTRACTION FORCE: 0.5Kgf (5N) Min.;
  - WATER PROOFNESS:THIS PRODUCT IS BASED ON IPX6.
  - PLUG INTERFACE DIMENSIONS CONFORM TO USB2.0 SPEC.
  - PACKAGING: TAPE & REEL.

04	2-In/Mold	1 PCS	HIGH TEMPERATURE PLASTIC	BLACK COLOR, UL94V-0;
03	1-In/Mold	1 PCS	HIGH TEMPERATURE PLASTIC	BLACK COLOR, UL94V-0;
02	CONTACT	1 PCS	COPPY ALLOY, T=0.20mm	Au: CONTACT AREA 3u", SOLDER AREA: GOLD FLASH.
01	SHELL	1 PCS	STAINLESS STEEL, T=0.30mm	Ni:40~120u"MIN ALL OVER +BLACK BALL
ITEM	PART NAME	Q'TY	MATERIAL	DESCRIPTION

Contact Number	Signal Name	Remarks
1#	VBUS	Power
2#	D-	Date-
3#	D+	Date+
4#	ID	Reserve or Gound
5#	GND	Gound

X. ±0.50	X.° ± 2°	UNITS mm	深圳市鑫南天科技有限公司 PART NO. <b>XNTUSB-1106IPX6-01</b> TITLE: <b>Micro USB 5Pin SMT (B) Type</b> (贴片插接)		
.X ±0.30	.X° ± 1°				
.XX ±0.20	.XX° ± 0.5°	MAT'L	APPD: RADOM		DWG NO. : <b>XNTUSB-1106IPX6-01</b>
.XXX ±0.05		FINISH	CHKD: MARK		
		Q'TY	DR: Steven.Rao 2018/07/08		SCALE SHEET REV.
					1/1 1/1 A1