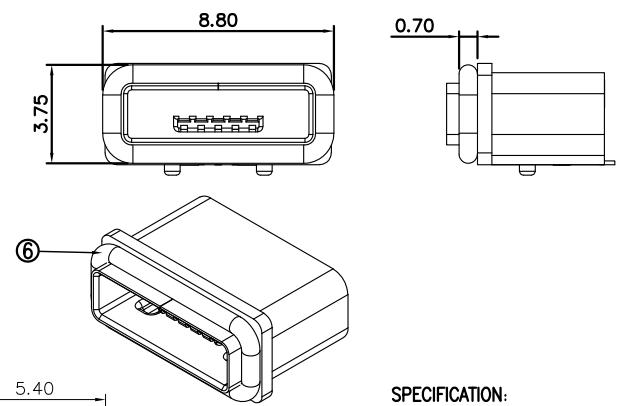
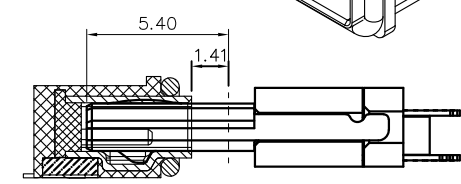
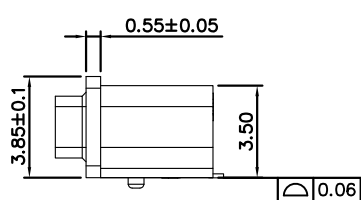
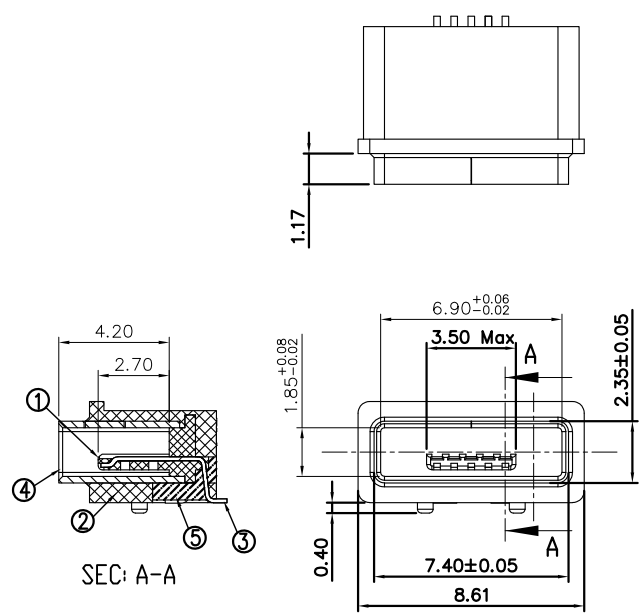


REV.	ECN. NO.	APPD.

Contact Number	Signal Name	Remarks
1#	VBUS	Power
2#	D-	Date-
3#	D+	Date+
4#	ID	Reserve or Ground
5#	GND	Ground



SPECIFICATION:

1.Electrical characteristics

1-1.Current rating:
Signal(Pins2,3,4):DC 1A
Power(Pins1,5) :DC 1.8A

1-2.Voltage rating: AC 30V.

1-3.Contact resistance:
30mΩ max(initial).
50mΩ max(After Durability)

1-4.Insulation resistance:
100MΩ min. at 500V DC.

1-5.Withstanding voltage:
100V AC for 1 minute.

2.Mechanical characteristics

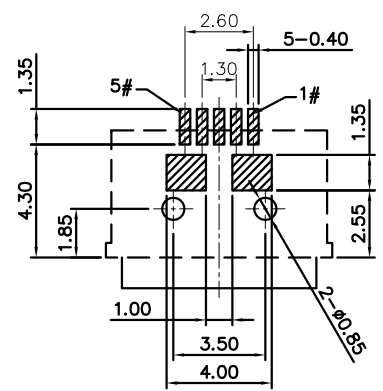
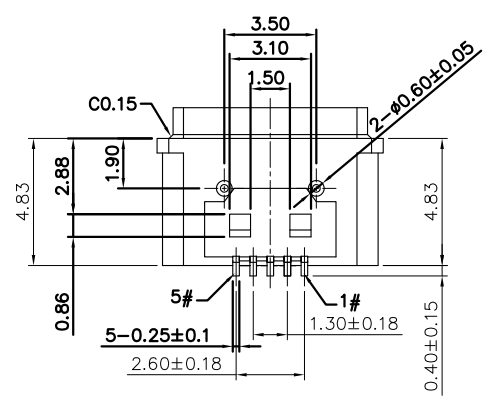
2-1.Life test: 5000 cycles min.

2-2.Mating force: 35N Max,
Unmating force:8N Min(initial).
6N Min(after life test).

2-3.Nut torque strength: 0.5kg.cm Min

3.Temperature range: -40°C~+80°C

4.Dustproof and waterproof grade: IP67



Recommended P.C.B. Layout
Unspecified tolerance: ±0.05
(Top view)

NO.	DESCRIPTION	QTY	MATERIAL	REMARK
⑥	Oval ring	1	Rubber	Black
⑤	Glue	1	-----	Black
④	Inner shell	1	Copper alloy or stainless steel	Gold Flash on contact area, Ni underplated.
③	Terminal	5	Copper alloy, 0.15t	Gold Plated On Contact Area.
②	Outer shell	1	High temperature thermoplastic	Black
①	Body	1	High temperature thermoplastic	Black

Contact Number	Signal Name	Remarks
1#	VBUS	Power
2#	D-	Date-
3#	D+	Date+
4#	ID	Reserve or Ground
5#	GND	Ground

X. ±0.50	X.* ±2°	UNITS mm	深圳市鑫南天科技有限公司		
.X ±0.30	.X* ±1°				
.XX ±0.20	.XX* ±0.5°	MAT'L	PART NO.	TITLE:	
.XXX ±0.05			XNTUSB-1103IPX8-00	Micro USB 5Pin SMT	
FINISH		Q'TY	DWG NO.:		
			XNTUSB-1103IPX8-00		
SCALE		SHEET	REV.	SCALE SHEET REV.	
				1/1	1/1

