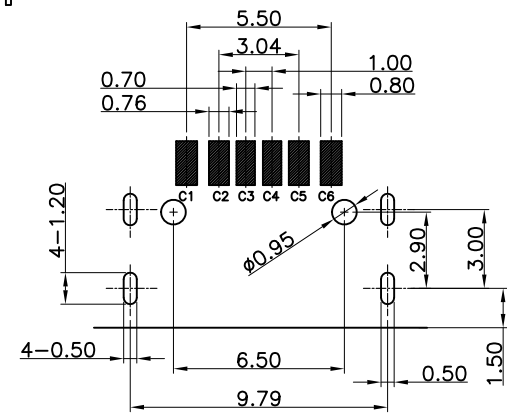
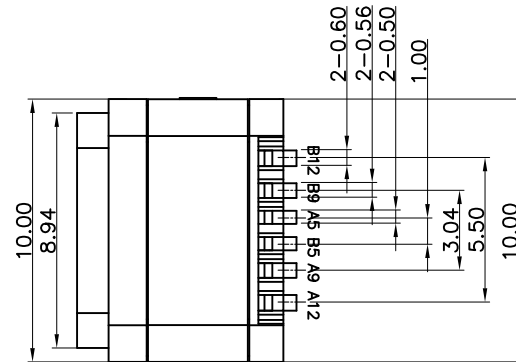
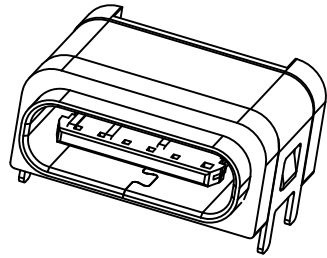
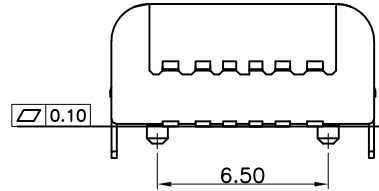
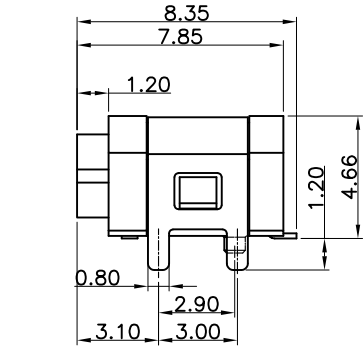
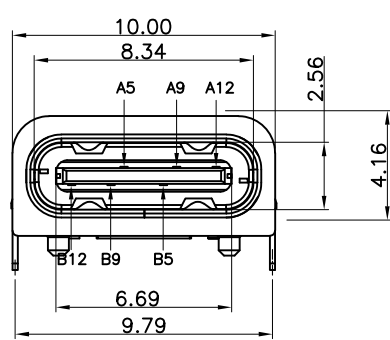


REV.	ECN. NO.	APPD.




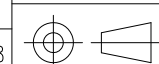
RECOMMENDED P.C.B. LAYOUT
TOLERANCE UNSPECIFIED ±0.05mm

NOTES:
SPECIFICATION:

- CURRENT RATING: 3.0A MAX
- VOLTAGE: 100 VAC
- TEMPERATURE RANGE: -30 °C ~ 85 °C
- CONTACT RESISTANCE: 40 MILLIONHM MAX
- INSULATION RESISTANCE: 100 MEGOHMS MIN.
- INSERTION FORCE : 5N~20N
- UNMATING FORCE: 8N~20N
- DURABILITY: 10,000 CYCLES
- WATER PROOFNESS: THIS PRODUCT IS BASED ON IPX7.

A5	CC1	B12	GND
A9	VBUS	B9	VBUS
A12	GND	B5	CC2
PIN	SIGNAL NAME	PIN	SIGNAL NAME

5	防水圈	硅胶	BLACK	1PCS
4	SHELL	STAINLESS STEEL	NI Plated	1PCS
3	SHIELDING PLATE	STAINLESS STEEL	NI Plated	1PCS
2	CONTACT	COPPER ALLOY	TIN/Au/NI Plated	1SET
1	HOUSING	HIGH TEMPERATURE PLASTIC	BLACK	1PCS
NO.	DESCRIPTION	MATERIAL	REMARKS	QTY

X. ±0.50	X.° ± 2°	UNITS mm	深圳市鑫南天科技有限公司 XinNanTian Industry co.,LTD	
.X ±0.30	.X° ± 1°			
.XX ±0.20	.XX° ± 0.5°	MAT'L	PART NO. XNTUSBC-0015IPX6-00	TITLE: USB TYPE C FEMALE TOP MOUNT WATERPROOF
.XXX ±0.05			APPD: RADOM	DWG NO. : XNTUSBC-0015IPX6
		FINISH	CHKD: MARK	 SCALE SHEET REV. 1/1 1/1 A1
		Q'TY	DR: Steven.Rao 2018/08/08	