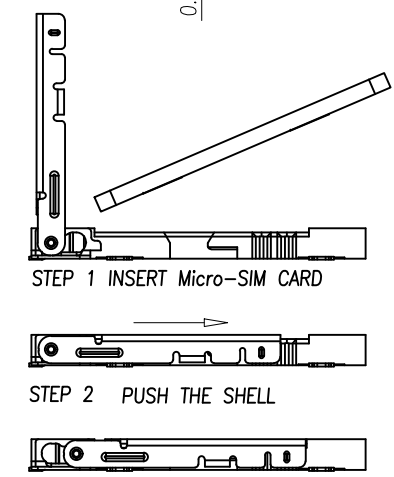
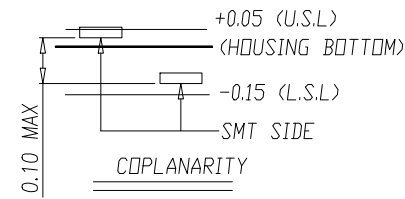
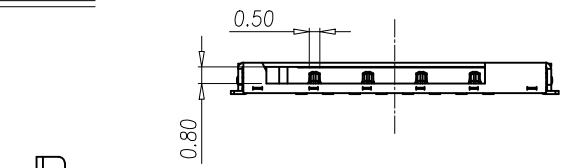
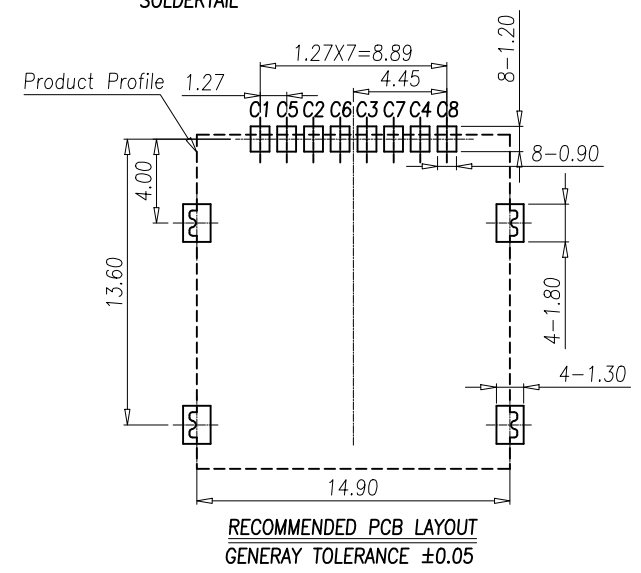


- NOTES:
- ELECTRICAL CHARACTERISTICS
 - CONTACT RESISTANCE: 60 Milliohms Max
 - INSULATION RESISTANCE: 1,000 Megohms Min.
 - DIELECTRIC WITHSTANDING VOLTAGE: 500V AC FOR 1 MINUTE.
 - MECHANICAL CHARACTERISTICS
 - OPERATION TEMPERATURE RANGE: -25°C~+70°C
 - DURABILITY: 5000 CYCLES
 - MATERIAL:
 - HOUSING: THERMOPLASTIC,UL 94-V0
 - TERMINAL: PHOSPHOR BRONZE,T=0.15
 - SHELL: STAINLESS STEEL,T=0.15
 - FINISHED:
 - TERMINAL: Ni PLATED UNDER,Au PLATED ON CONTACT AREA,G/F PLATED ON SOLDER TAIL
 - SHELL: Ni PLATED UNDER,G/F PLATED ON SOLDER TAIL

SECTION: A-A



SIM CARD	
Pin No.	NAME
C1	VCC
C2	RST
C3	CLK
C4	RESERVED
C5	GND
C6	VPP
C7	I/O
C8	RESERVED



REVISION NO.	ECR NO.	DESCRIPTION	MARK	DATE
1				
2				
3				

	深圳市鑫南天科技有限公司 Shen Zhen Xin Nan Tian Technology Co., Ltd			
	DIMENSIONS INIT: mm UNLESS OTHERWISE SPECIFIABLE DIMENSION TOLERANCE x ± 0.25 x' ± 3" x.x ± 0.20 x.x' ± 1" x.xx ± 0.15 x.xx' ± 0.5" x.xxx ± 0.10	PRODUCT NAME : MICRO SIM 8PIN H1.5 掀盖	DRAWING: COCO	DATE: 2015/09/01
		PRODUCT NO. : XNT-MS08-H150	CHECK: JANY	DATE: 2015/09/01
		DRAWING NO. : XNT-1017	APPROVED: JEFF	DATE: 2015/09/01
		SCALE: 1:1	DWG ID: P D	REV.: A
				PAGE: 1 of 1